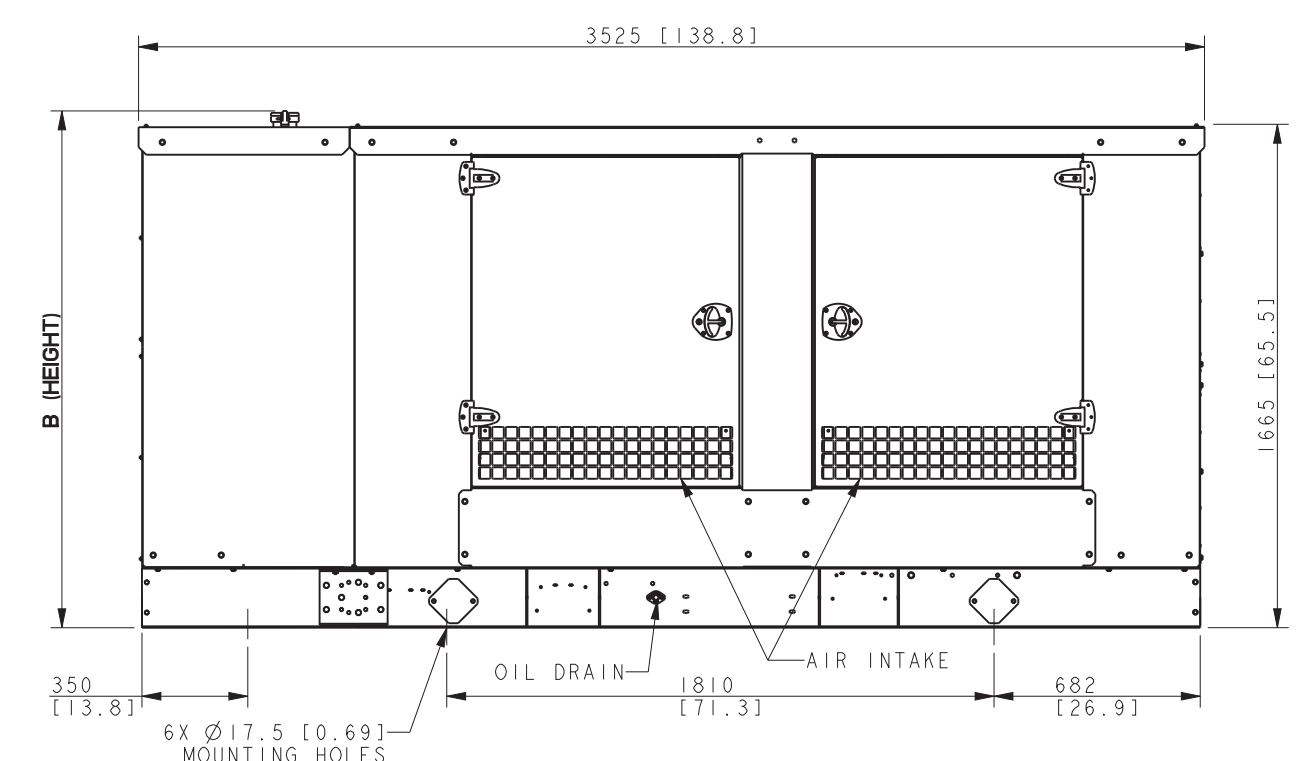
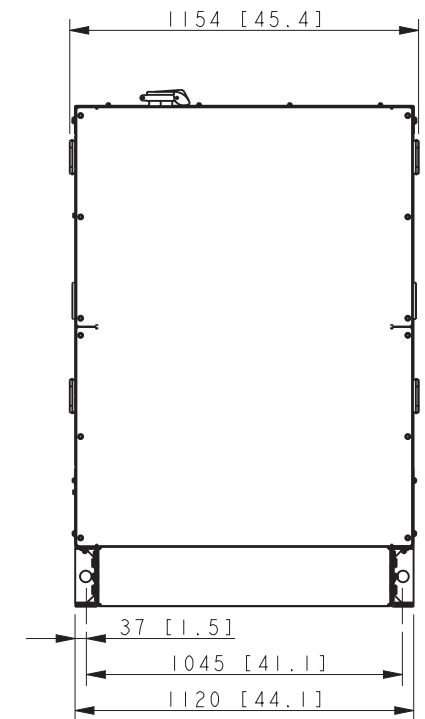
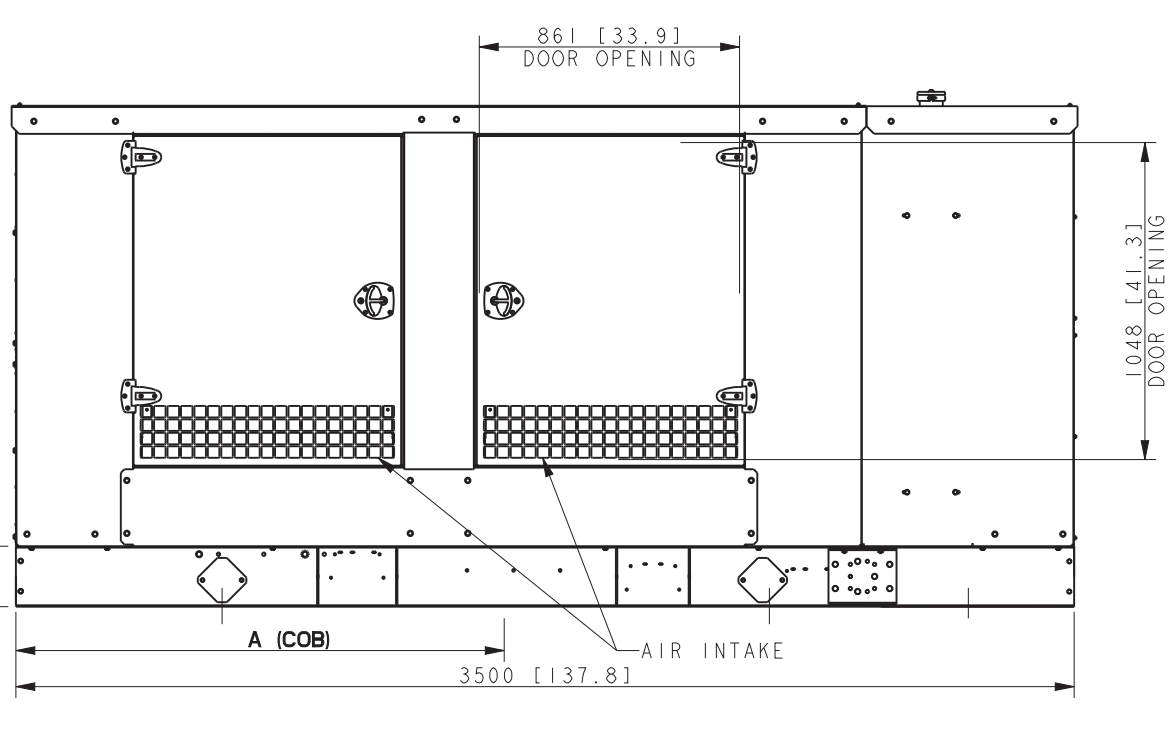
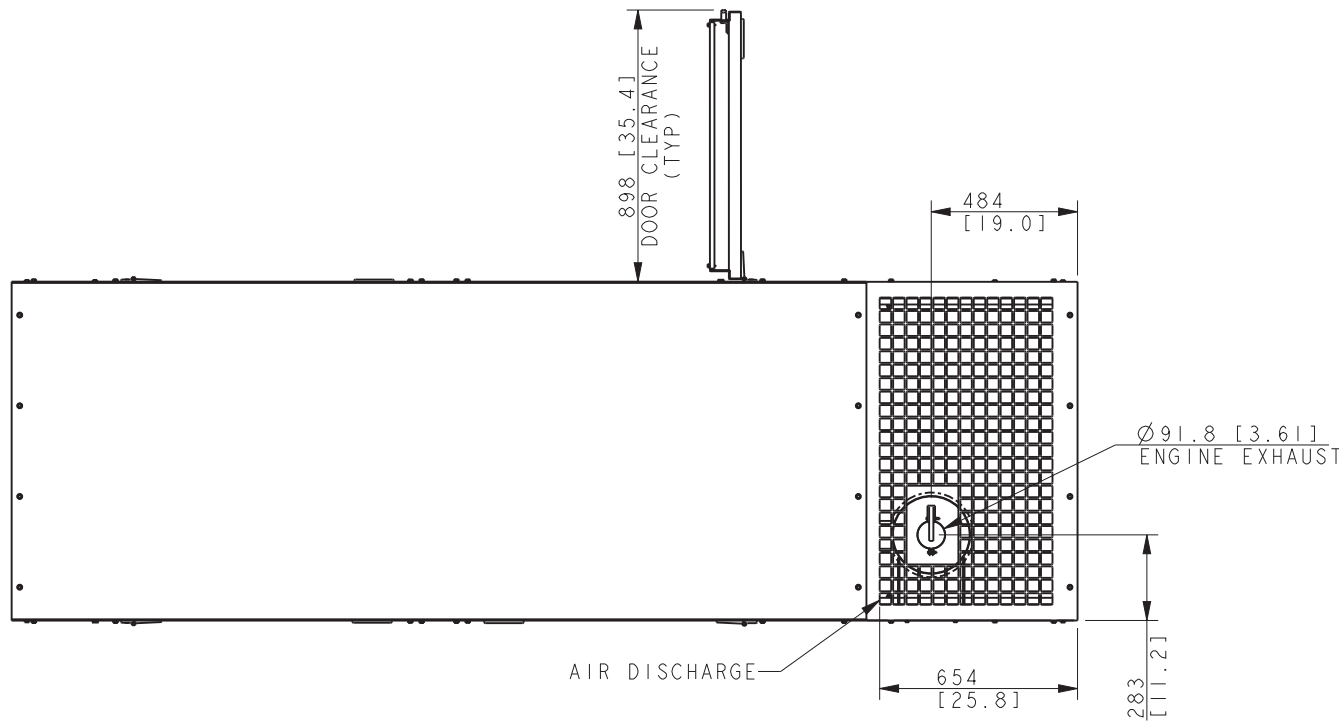


DIM (MM)	80	100	100/125
A (COB)	1615	1651	1598
B (HEIGHT)	1709	1713	1713



MODEL	ALTERNATOR	GENSET WGT (WET) W/ ENCL		ENCLOSURE ONLY		
		KG	LBS	KG	LBS	
KG80	4R9X/4T9X	STEEL WEATHER	1417	3123	391	863
		STEEL SOUND	1427	3146	402	886
		ALUM SOUND	1337	2948	312	688
	4P10X	STEEL WEATHER	1394	3073	391	863
		STEEL SOUND	1404	3096	402	886
		ALUM SOUND	1315	2898	312	688
KG100	4R9X	STEEL WEATHER	1471	3243	399	879
		STEEL SOUND	1492	3290	409	902
		ALUM SOUND	1381	3044	319	704
KG100/125	4R12X	STEEL WEATHER	1539	3393	399	879
		STEEL SOUND	1549	3416	409	902
		ALUM SOUND	1460	3218	319	704
	4R13X/4T13X	STEEL WEATHER	1605	3539	399	879
		STEEL SOUND	1616	3562	409	902
		ALUM SOUND	1515	3340	319	704

DIMENSIONS IN [] ARE IN ENGLISH EQUIVALENTS.

REV	DATE	ON COMPOSITE DWGS, SEE PART NO. FOR REVISION LEVEL	BY	DO NOT SCALE. REFERENCE THE MODEL FOR ALL UNSPECIFIED DIMENSIONS								
-	10-23-18	NEW DRAWING [CT191152]	ADP	<small>UNLESS OTHERWISE SPECIFIED: ALL DIMENSIONS IN MILLIMETERS GENERAL TOLERANCES: X.XX ± 0.2 X.X ± 0.5 X ± 1.0 ANGLES ± 0°30' MAX THIRD ANGLE PROJECTION</small>								
A	1-16-19	(A-4) NOTE REMOVED; (A-1) MOUNTING POINT DIMENSION REMOVED [CT193090]	AWK									
B	14MAY2019	(B-4) 'B' WAS 'D'; (D-8) 'B' ADDED TO TABLE; (A-4) 6X Ø17.5 [0.69] WAS 8X [CT195808]	AWK									
<table border="1"> <tr> <th>APPROVALS</th> <th>DATE</th> </tr> <tr> <td>DRAWN ADP</td> <td>10-23-18</td> </tr> <tr> <td>CHECKED DJV</td> <td>10-23-18</td> </tr> <tr> <td>APPROVED PBT</td> <td>10-23-18</td> </tr> </table>				APPROVALS	DATE	DRAWN ADP	10-23-18	CHECKED DJV	10-23-18	APPROVED PBT	10-23-18	KOHLER <small>KOHLER, WISCONSIN 53044</small> THIS DRAWING IN DESIGN AND DETAIL IS KOHLER CO. PROPERTY AND MUST NOT BE USED EXCEPT IN CONNECTION WITH KOHLER CO. WORK. ALL RIGHTS OF DESIGN OR INVENTION ARE RESERVED. TITLE DIMENSION PRINT, KG80/100/125 6.2L ENCL.
APPROVALS	DATE											
DRAWN ADP	10-23-18											
CHECKED DJV	10-23-18											
APPROVED PBT	10-23-18											
SCALE 0.08 CAD NO. SHEET 1 of 1 ADV-9083				D								