



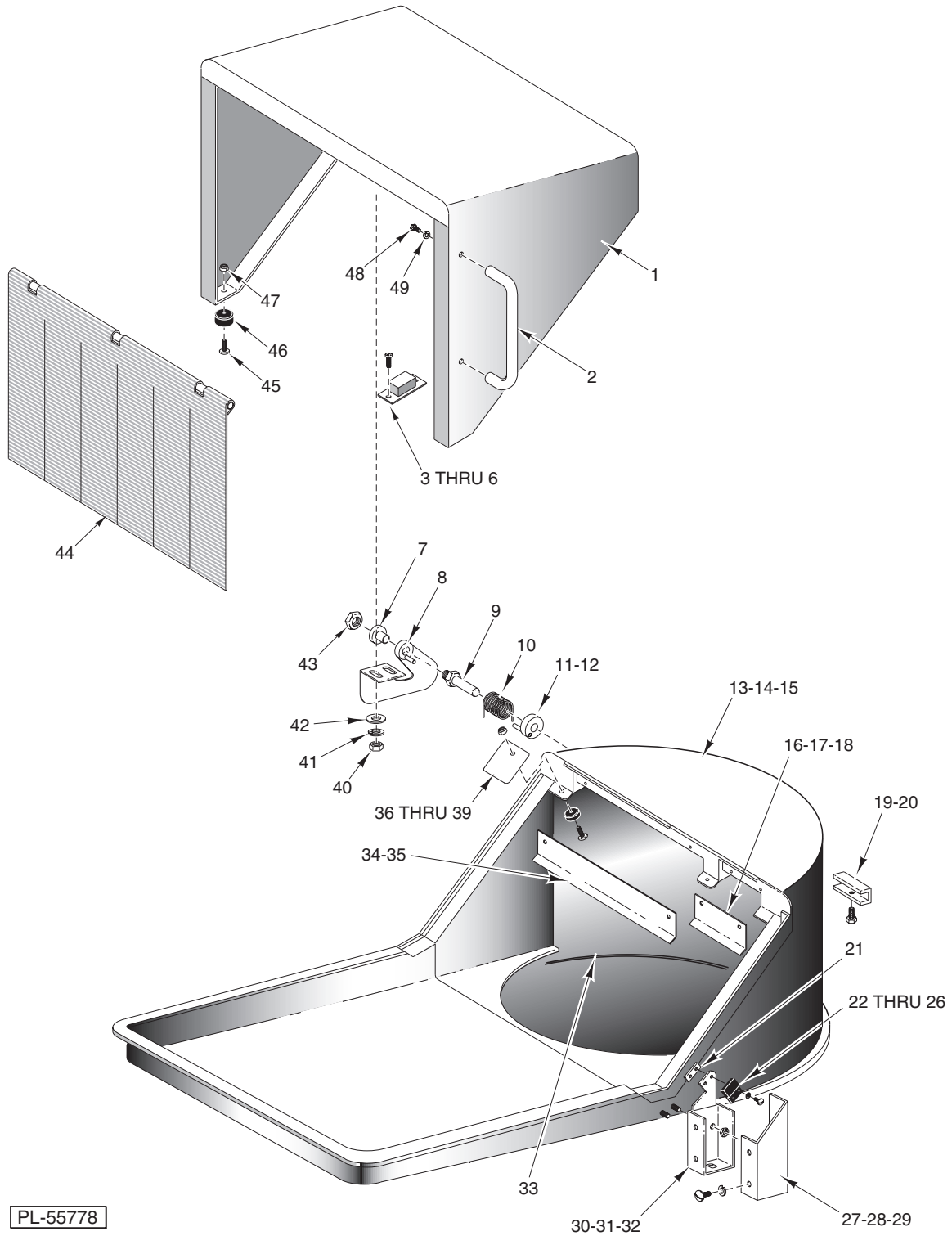
**CATALOG OF
REPLACEMENT
PARTS**

**WR SERIES
WASTE EQUIPMENT SYSTEM**

MODEL	L-R	R-L
WR1000	ML-110372	ML-110373

Table of Contents

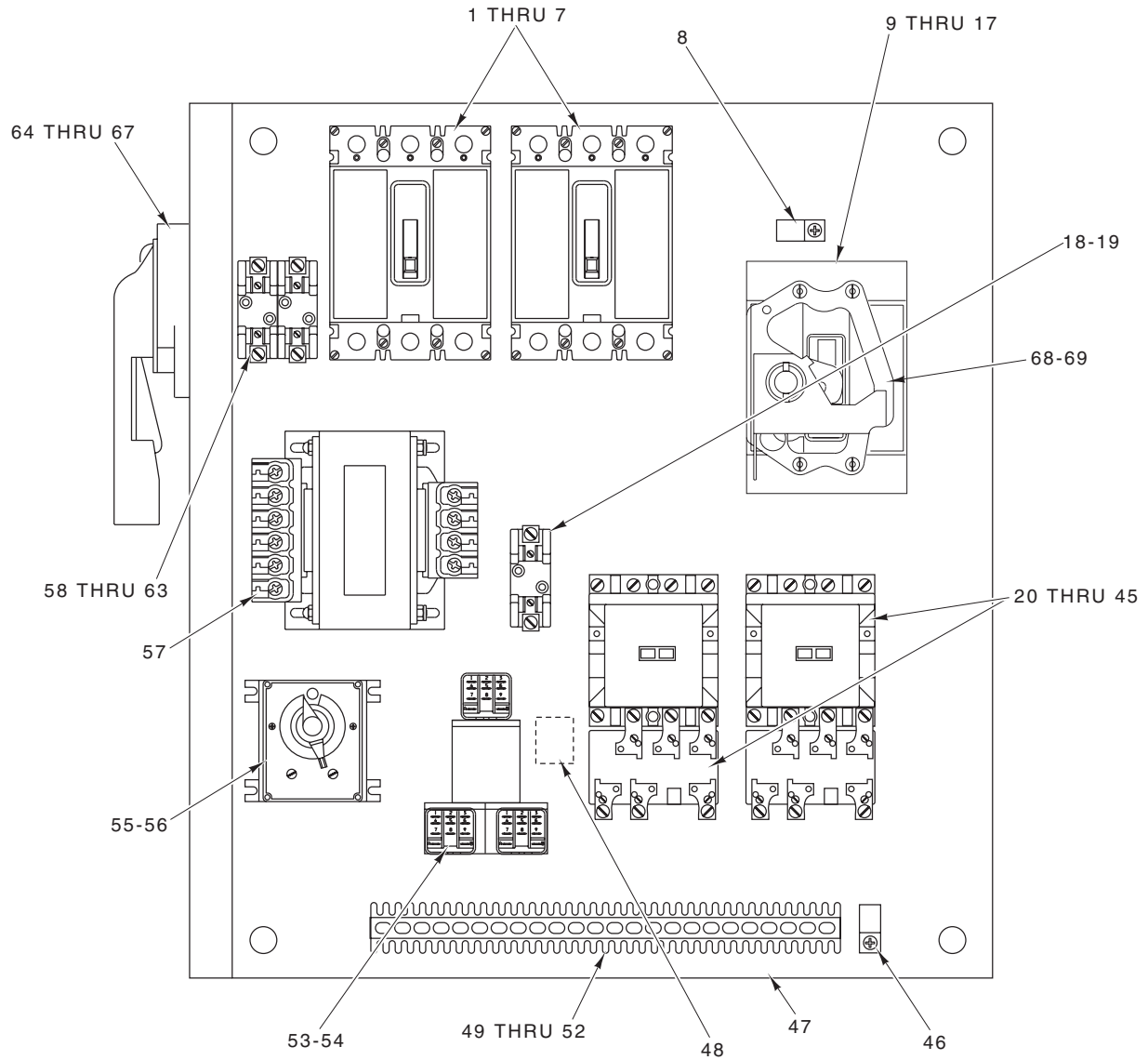
Page	Description
5	Feed Hood Unit
6	Control Panel
8	Pulper Tank (Undercounter W/Feed Hood)
11	Pulper Drive Unit
12	Recirculating Line (L-R) (No Trough or Tray Flush) (Previous Construction)
13	Recirculating Line (R-L) (No Trough or Tray Flush) (Previous Construction)
15	Recirculating Line (L-R) (Tray Flush Only) (Previous Construction)
17	Recirculating Line (R-L) (Tray Flush Only) (Previous Construction)
19	Recirculating Line (L-R) (No Trough or Tray Flush) (Current Construction)
21	Recirculating Line (R-L) (No Trough or Tray Flush) (Current Construction)
23	Recirculating Line (L-R) (Tray Flush Only) (Current Construction)
25	Recirculating Line (R-L) (Tray Flush Only) (Current Construction)
26	Recirculating Line (L-R) (Trough Flush Only) (Current Construction)
27	Recirculating Line (R-L) (Trough Flush Only) (Current Construction)
29	Recirculating Line (L-R) (Tray and Trough Flush) (Current Construction)
31	Recirculating Line (R-L) (Tray and Trough Flush) (Current Construction)
32	Slurry Pump Assembly
35	Slurry Pump Unit
37	Junction Box
38	Accessories
39	Tray Flush Nozzle Accessories



FEED HOOD UNIT

FEED HOOD UNIT

ILLUS. PL-55778	PART NO.	NAME OF PART	AMT.
1	00-473860	Lid – Feed Hood	1
2	00-473730	Handle	2
3	00-290159	Retainer – Magnet	1
4	00-290160	Magnet	1
5	SC-021-08	Mach. Screw 6-32 x 3/8 Rd. Hd. (SST)	2
6	NS-031-50	Stop Nut 6-32 Hex (SST)	2
7	00-473723	Bearing – Oilite	2
8	00-473722	Hinge – Arm	2
9	00-473737	Pin – Hinge	2
10	00-473739	Spring – Torsion	2
11	00-473767	Hub Assy. – Spring	2
12	SC-116-87	Set Screw 14-20 x 1/4 Soc. Hdls., Cup Pt.	4
13	00-473620	Hood (Std. Length)	1
14	00-473911	Hood (Short Length)	1
15	00-473913	Hood (Long Length)	1
16	00-748956	Cover – Control Balance (RH)	1
17	SC-093-20	Mach. Screw 1/4-20 x 3/4 Phil. Pan Hd.	2
18	WL-006-07	Lockwasher #10 Medium	2
19	00-473863	Clamp	7
20	SC-041-13	Cap Screw 5/16-18 x 1 Hex Hd. (SST)	7
21	NS-031-48	Stop Nut 4-40 Hex (SST)	2
22	00-473109-00002	Switch Assy. – Door	1
23	SC-018-49	Mach. Screw 4-40 x 1/2 Pan Hd.	2
24	WL-006-39	Lockwasher #4 Helical	2
25	FE-006-17	Wire Nut (16-22 Ga.)	2
26	00-294514-00005	Cable – Interlock Cover	1
27	FE-022-06	Strain Relief – 90 Deg.	1
28	00-473733	Cover – Interlock	1
29	SC-021-22	Mach. Screw 10-24 x 3/8 Rd. Hd. (SST)	2
30	WL-006-07	Lockwasher #10 Medium	2
31	00-473628	Mount – Interlock	1
32	NS-031-16	Stop Nut 10-24 Hex Elastic (SST)	2
33	00-473575	Seal – Transition	1
34	SC-093-20	Mach. Screw 1/4-20 x 3/4 Phil. Pan Hd.	2
35	00-748955	Cover – Control Balance (Center)	1
36	00-748957	Cover – Counter Balance (LH)	1
37	WL-006-17	Lockwasher 1/4 Medium	2
38	NS-031-21	Stop Nut – Special 1/4-20 Hex	2
39	00-473753	Bumper	2
40	NS-015-13	Nut 3/8-16 Hex (SST)	4
41	WL-006-28	Lockwasher 3/8 Medium	4
42	WS-006-44	Washer	4
43	FP-053-05	Pipe Lock Nut 1/2 NPSL (SST)	2
44	00-474284-00001	Curtain – Feed Hood	2
45	SC-093-20	Mach. Screw 1/4-20 x 3/4 Phil. Pan Hd.	2
46	00-473753	Bumper	2
47	NS-031-21	Stop Nut – Special 1/4-20 Hex	2
48	SC-041-05	Cap Screw 1/4-20 x 5/8 Hex Hd.	4
49	WL-006-17	Lockwasher 1/4 Medium	4



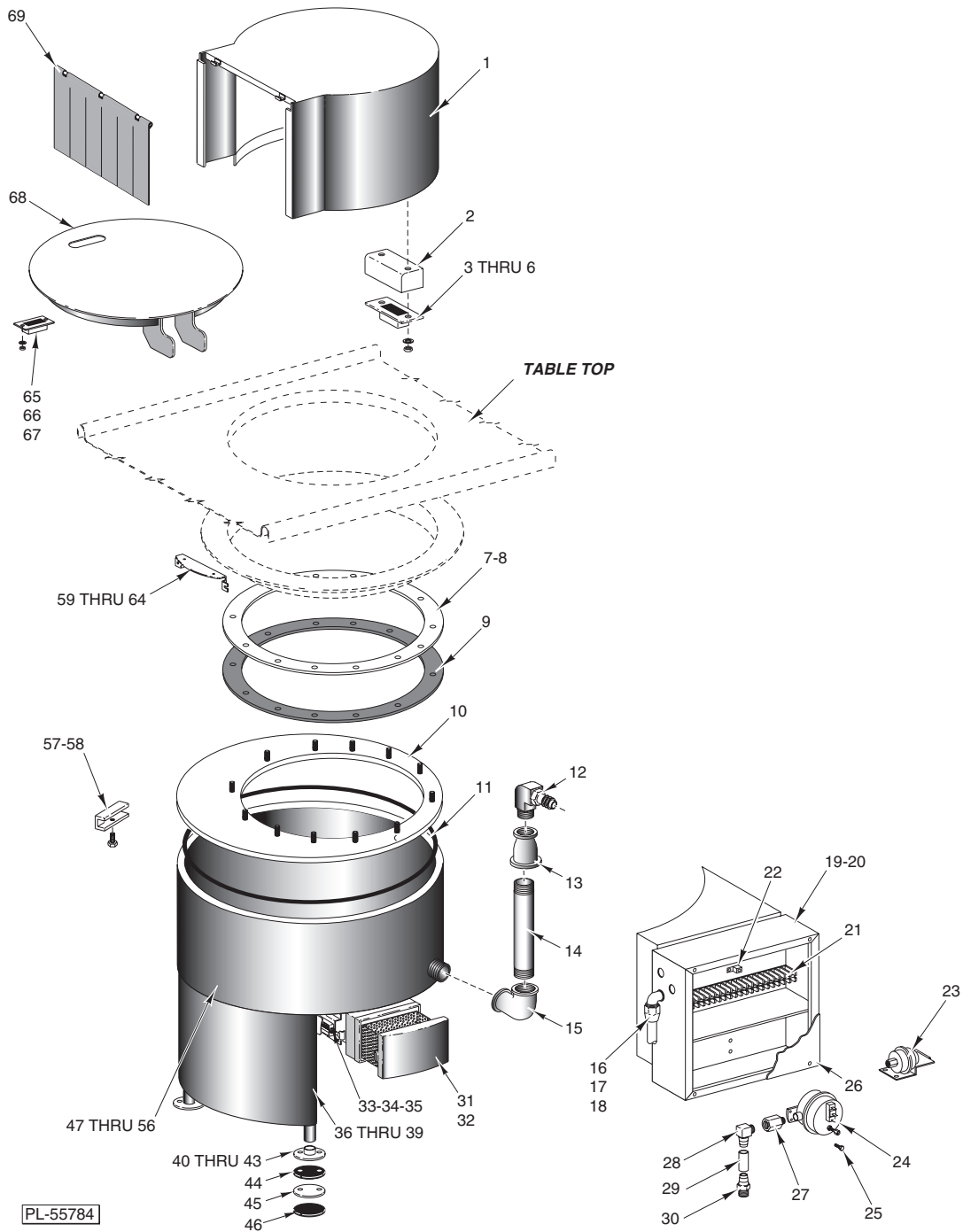
PL-56063

CONTROL PANEL

ILLUS.	PART NO.	NAME OF PART	AMT.
PL-56063			
1	00-223488-00038	Circuit Breaker/Aux. Switch (15 Amp.)	1
2	00-223488-00039	Circuit Breaker/Aux. Switch (20 Amp.)	1
3	00-223488-00040	Circuit Breaker/Aux. Switch (25 Amp.)	1
4	00-223488-00041	Circuit Breaker/Aux. Switch (30 Amp.)	1
5	00-223488-00042	Circuit Breaker/Aux. Switch (35 Amp.)	1
6	00-223488-00064	Circuit Breaker/Aux. Switch (15 Amp., 600 V.)	1
7	00-223649-00002	Hardware Kit – Mtg. CBs/Aux. Switch	1
8	00-118544-00001	Lug – Solderless	1

CONTROL PANEL

ILLUS.	PART NO.	NAME OF PART	AMT.
	PL-56063		
9	00-223488-00008	Circuit Breaker (25 Amp.)	1
10	00-223488-00009	Circuit Breaker (20 Amp.)	1
11	00-223488-00028	Circuit Breaker (30 Amp.)	1
12	00-223488-00029	Circuit Breaker (35 Amp.)	1
13	00-223488-00030	Circuit Breaker (40 Amp.)	1
14	00-223488-00032	Circuit Breaker (50 Amp.)	1
15	00-223488-00033	Circuit Breaker (60 Amp.)	1
16	00-223488-00011	Circuit Breaker (20 Amp., 600 V.)	1
17	00-223488-00051	Circuit Breaker (25 Amp., 600 V.)	1
18	00-223454	Fuse Block – 1 Pole (30 Amp., 250 V.)	1
19	FE-022-65	Fuse (3.2 Amp.)	1
20	00-222451-00001	Starter – Magnetic (Size 0)	1
21	00-222451-00002	Starter – Magnetic (Size 1)	1
22	00-223456-00003	Heater Element FH26	1
23	00-223456-00004	Heater Element FH27	1
24	00-223456-00005	Heater Element FH28	1
25	00-223456-00006	Heater Element FH30	1
26	00-223456-00007	Heater Element FH31	1
27	00-223456-00008	Heater Element FH32	1
28	00-223456-00009	Heater Element FH34	1
29	00-223456-00010	Heater Element FH36	1
30	00-223456-00011	Heater Element FH37	1
31	00-223456-00012	Heater Element FH39	1
32	00-223456-00013	Heater Element FH40	1
33	00-223456-00014	Heater Element FH41	1
34	00-223456-00016	Heater Element FH43	1
35	00-223456-00017	Heater Element FH44	1
36	00-223456-00018	Heater Element FH45	1
37	00-223456-00019	Heater Element FH46	1
38	00-223456-00021	Heater Element FH49	1
39	00-223456-00023	Heater Element FH51	1
40	00-223456-00042	Heater Element FH29	1
41	00-223456-00043	Heater Element FH33	1
42	00-223456-00044	Heater Element FH35	1
43	00-223456-00045	Heater Element FH38	1
44	00-223456-00046	Heater Element FH47	1
45	00-222465-00001	Interlock – Electrical	1
46	00-118544-00001	Lug – Solderless	1
47	00-222312-00008	Panel (21 x 17)	1
48	00-294810	Filter – R-C Network	1
49	00-102059	Terminal Block – 1 Pole	1
50	00-102060	End Barrier	1
51	00-101611	Clip – Retaining	1
52	00-513265	Mtg. Channel (Brass, 36 In.)	1
53	00-087714-020-2	Relay 3PDT	3
54	00-186748	Bracket (Use W/Item 52)	1
55	00-223459-00002	Timer – 3 Minute (Pump Down)	1
56	00-223459-00001	Timer – 60 Minute (Auto Shut Down)	1
57	00-294500-046-2	Transformer (300 VA)	1
58	00-294436-00002	Fuse Block – 1 Pole (30 Amp., 600 V.)	1
59	FE-023-80	Fuse (3.0 Amp.) (For 200-208 V. Mach.)	1
60	FE-015-02	Fuse (2.5 Amp.) (For 230-240 V. Mach.)	1
61	FE-023-78	Fuse (1.25 Amp.) (For 460-480 V. Mach.)	1
62	FE-023-79	Fuse (1.5 Amp.) (For 380-415 V. Mach.)	1
63	FE-023-77	Fuse (1.0 Amp.) (For 575 V. Mach.)	1
64	00-222450	Handle – Nema 12	1
65	00-222450-00002	Handle – Nema 4	1
66	SC-033-17	Mach. Screw 1/4-20 x 7/16 Pan Hd.	3
67	WL-005-27	Lockwasher 1/4	3
68	00-223521	Handle Shaft	1
69	00-270598	Handle Mechanism	1
	00-222440-00001	Enclosure – Nema (12, 24 x 20 x 6)	1
	00-474910	Enclosure – Nema (4X SST) (24 x 20 x 6)	1

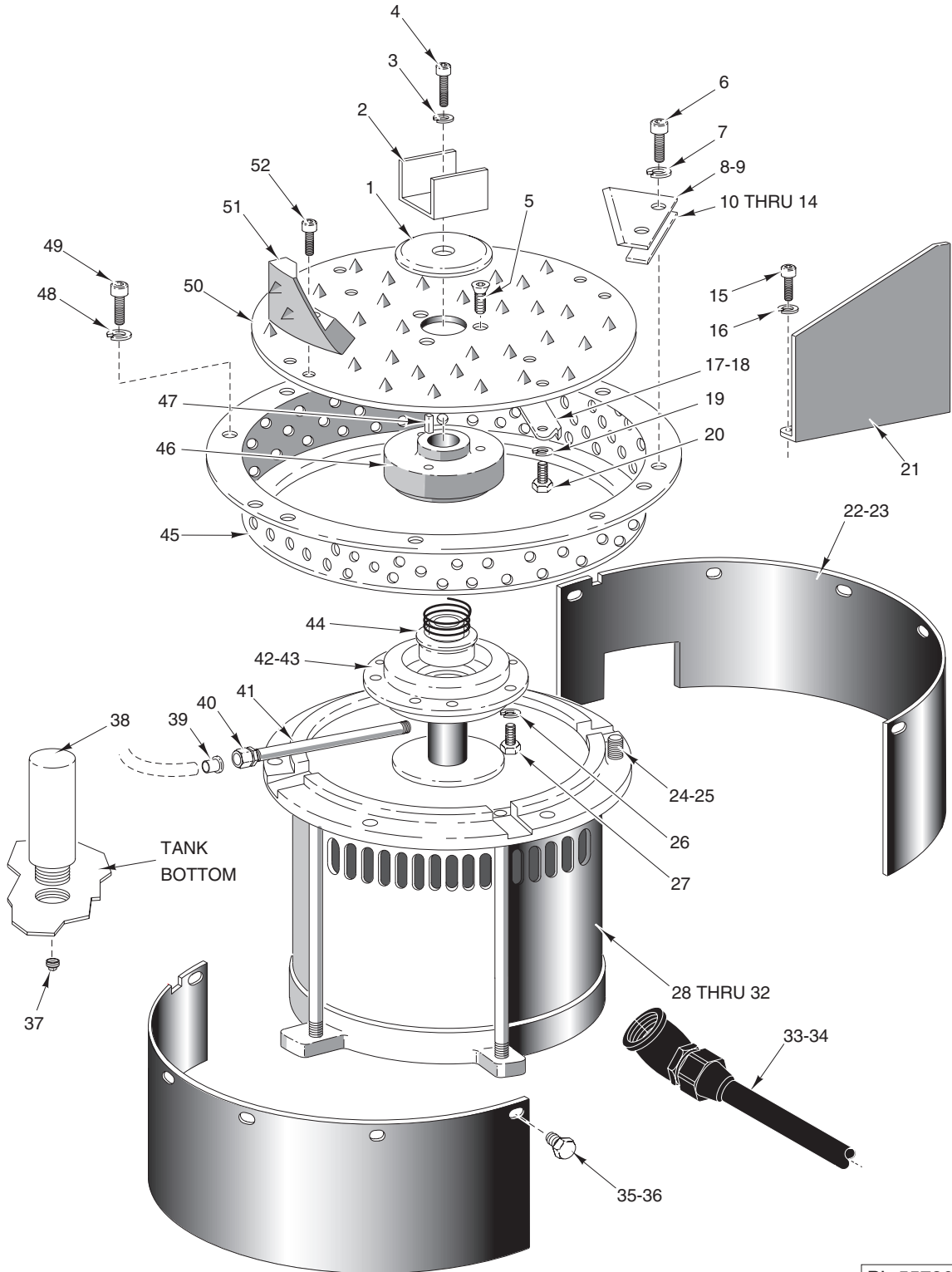


**PULPER TANK
(UNDERCOUNTER W/FEED HOOD)**

ILLUS.	PART NO.	NAME OF PART	AMT.
PL-55784			
1	00-474708	Hood – Feed	1
2	00-474710	Guard – Magnet	1
3	00-474551	Magnet & Housing Assy.	1
4	SC-119-30	Mach. Screw 6-32 x 3/4 Hex Hd. (SST)	2
5	WS-023-21	Washer	2
6	NS-031-50	Stop Nut 6-32 Hex (SST)	2
7	00-474140	Retainer – Sanitary Ring	1

PULPER TANK (UNDERCOUNTER W/FEED HOOD)

ILLUS. PL-55784	PART NO.	NAME OF PART	AMT.
8	NS-047-86	Stop Nut – Special 1/4-20 Hex	12
9	00-474139	Gasket – Sanitary Ring	1
10	00-474137	Top – Tank	1
11	00-545193	Gasket	1
12	00-223478	Hose – Barb 90 Deg. x 1/4	1
13	FP-077-39	Coupling – Reducing 3/4 to 1/4 (Brass)	1
14	FP-042-15	Pipe 3/4 x 8 1/2 TBE (Brass)	1
15	FP-015-23	Elbow 3/4 x 90 Deg. (Brass)	1
16	FE-022-84	Relief – Strain Elec.	1
17	FE-008-10	Gasket – Elec.	1
18	FE-006-05	Lock Nut – Elec. 1/2	1
19	00-474606	Box – Junction (WLDMT) (L-R)	1
20	00-474607	Box – Junction (WLDMT) (R-L)	1
21	00-104294-00016	Terminal Block Assy.	1
22	00-118544-00001	Lug – Solderless	1
23	00-087711-256-1	Switch – Pressure (Previous)	1
24	00-087711-00320	Switch – Pressure (Current)	1
25	SD-035-67	Self-Tapping Screw 8-32 x 3/8 Phil. Pan Hd., Type T	2
26	00-474612	Lid – Junction Box	1
27	FP-087-93	Adaptor – Pipe 1/4 FPT x 1/8 MPT (Brass)	1
28	00-223478	Fitting – Hose Barb 90 Deg. x 1/4	1
29	00-222434-00009	Tubing 1/4	1
30	FP-088-22	Fitting – Tube 3/8 (Brass)	1
31	00-473851	Cover – Trash Box	1
32	00-473850	Gasket – Trash Box	1
33	00-473870	Latch – Trash Box	2
34	SC-021-98	Mach. Screw 8-32 x 3/8 Rd. Hd. (SST)	4
35	WL-006-02	Lockwasher #8 Medium	4
36	00-473858	Leg Wrap	1
37	SC-041-54	Cap Screw 1/2-13 x 3/4 Hex Hd.	3
38	WS-008-43	Washer	6
39	WL-006-35	Lockwasher 1/2 Light	6
40	00-473869	Foot	3
41	SC-055-27	Set Screw 5/16-24 x 5/16 Hdls., Cup Pt.	3
42	SC-109-47	Cap Screw 1/4-20 x 7/8 Hex Hd.	4
43	WL-006-17	Lockwasher 1/4 Medium	4
44	00-329336-00001	Pad – Rubber Waffle W/Holes	3
45	00-329335	Spacer	3
46	00-329336-00002	Pad – Rubber Waffle W/O Holes	3
47	00-892085-00001	Tank (R-L) (W/O Trough)	1
48	00-892085-00002	Tank (R-L) (W/Trough) (Position 2)	1
49	00-892085-00003	Tank (R-L) (W/Trough) (Position 3)	1
50	00-892085-00004	Tank (R-L) (W/Trough) (Position 4)	1
51	00-892085-00005	Tank (R-L) (W/Trough) (Position 8)	1
52	00-892084-00001	Tank (L-R) (W/O Trough)	1
53	00-892084-00002	Tank (L-R) (W/Trough) (Position 4)	1
54	00-892084-00003	Tank (L-R) (W/Trough) (Position 8)	1
55	00-892084-00004	Tank (L-R) (W/Trough) (Position 9)	1
56	00-892084-00005	Tank (L-R) (W/Trough) (Position 10)	1
57	00-473863	Clamp	7
58	SC-041-13	Cap Screw 5/16-18 x 1 Hex Hd. (SST)	2
59	00-474538	Guard – Reed Switch	1
60	SC-119-31	Mach. Screw 10-24 x 3/8 Hex Hd. (SST)	2
61	WL-006-07	Lockwasher #10 Medium	2
62	00-476725-00009	Switch – Interlock	1
63	WS-023-21	Washer	2
64	NS-031-50	Stop Nut 6-32 Hex (SST)	2
65	00-474551	Magnet & Housing Assy.	1
66	WS-023-21	Washer	2
67	NS-031-50	Stop Nut 6-32 Hex (SST)	2
68	00-474135	Coverplate	1
69	00-222243-00004	Curtain 13 3/4 Lg.	1
	00-749127	Kit – Outside Standpipe (Incls. Items 12 thru 15)	1



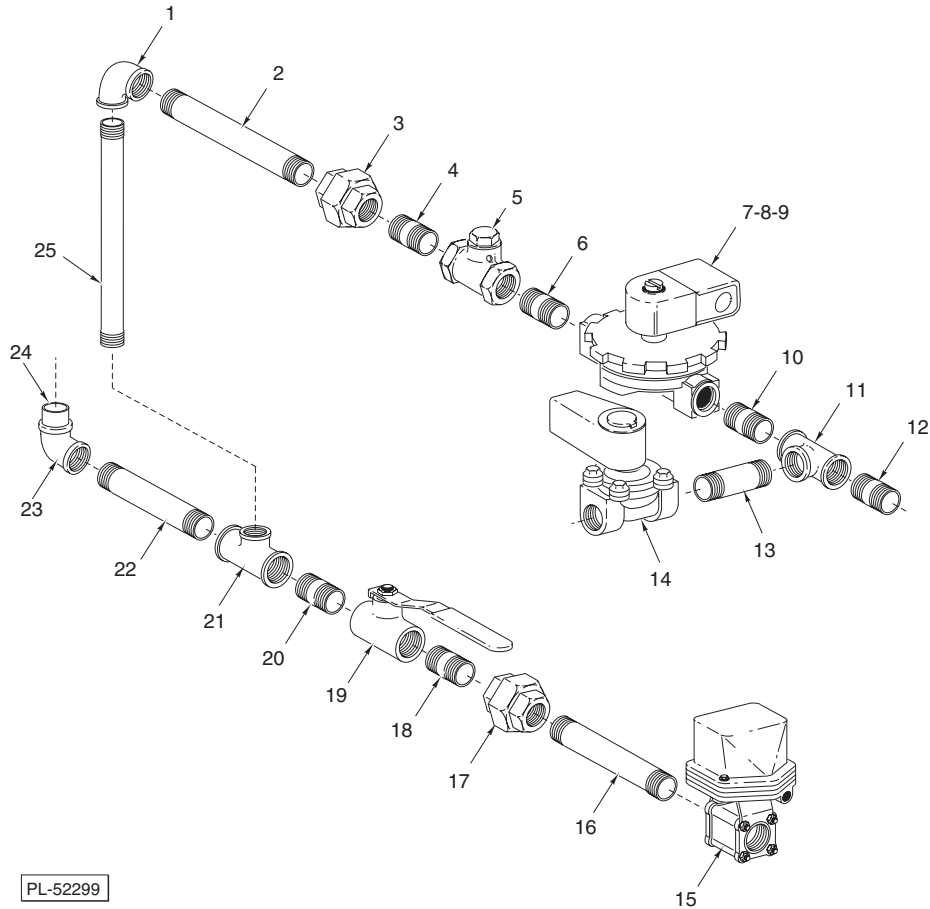
PL-55786

PULPER DRIVE UNIT

PULPER DRIVE UNIT

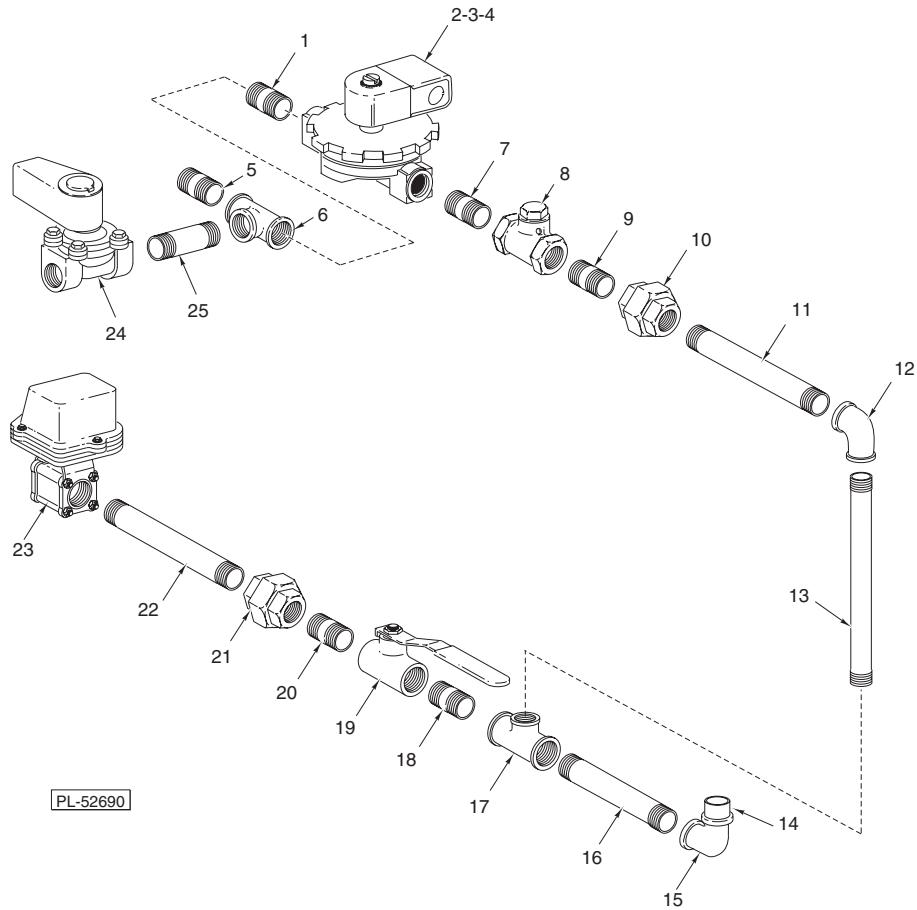
ILLUS.	PART NO.	NAME OF PART	AMT.
	PL-55786		
1	00-473862	Cap	1
2	00-749976	High Bulk Cutter	1
3	WL-006-28	Lockwasher ³ / ₈ Medium	1
4	SC-059-36	Cap Screw ³ / ₈ -16 x 1 Soc. Hd.	1
5	SC-110-36	Cap Screw ³ / ₈ -16 x 1	3
6	SC-059-43	Cap Screw ¹ / ₂ -13 x 1 ¹ / ₄ Soc. Hd.	6
7	WL-006-35	Lockwasher ¹ / ₂ Light	6
8	00-748275	Retarder (STD) (22 ¹ / ₂ Deg.)	3
9	00-473831	Retarder (45 Deg.)	3
10	00-222343-00001	Shim – Retarder (0.040" Thk.)	AR
11	00-222343-00006	Shim – Retarder (0.010" Thk.)	AR
12	00-222343-00002	Shim – Retarder (0.060" Thk.)	AR
13	00-222343-00005	Shim – Retarder (0.005" Thk.)	AR
14	00-222343-00004	Shim – Retarder (0.010" Thk.)	AR
15	SC-059-28	Cap Screw ¹ / ₄ -20 x ³ / ₈ Soc. Hd.	6
16	WL-006-17	Lockwasher ¹ / ₄ Medium	6
17	00-216933-00002	Vane – Pumping (Previous Construction) (Use With 5 Hp. Drive Motor)	2
18	00-749852	Vane – Pumping (Current Construction) (Do Not Use With 5 Hp. Drive Motor)	2
19	WL-006-28	Lockwasher ³ / ₈ Medium	4
20	SC-041-26	Cap Screw ³ / ₁₆ -16 x ¹ / ₂ Hex Hd.	4
21	00-216897-00002	Baffle	3
22	00-475265-00002	Motor Splash Shield (L-R)	2
23	00-475265-00003	Motor Splash Shield (R-L)	1
24	SC-041-44	Cap Screw ¹ / ₂ -13 x 1 ¹ / ₄ Hex Hd.	6
25	WL-006-35	Lockwasher ¹ / ₂ Light	6
26	WL-006-17	Lockwasher ¹ / ₄ Medium	4
27	SC-109-47	Cap Screw ¹ / ₄ -20 x ⁷ / ₈ Hex Hd.	4
28	00-473864-00001	Motor – Pulper Drive 5 Hp. (240/480 V., 60 Hz.; 200/380/415 V., 50 Hz.) (3 Ph.) (Previous Construction)	1
29	00-473864-00002	Motor – Pulper Drive 5 Hp. (208/380 V., 60 Hz.) (3 Ph.) (Previous Construction)	1
30	00-473864-00003	Motor – Pulper Drive 5 Hp. (575 V., 60 Hz.) (3 Ph.) (Previous Construction)	1
31	00-892060-00001	Motor – Drive 7 ¹ / ₂ Hp. (200/400 V.) (Current Construction)	1
32	00-892060-00002	Motor – Drive 7 ¹ / ₂ Hp. (230/460 V.) (Current Construction)	1
33	00-436913-00011	Conduit – Liquidtite ¹ / ₂ "	1
34	FE-024-61	Connector – 45 Deg. (Non-Metallic) Sealtite (¹ / ₂ Male)	1
35	00-081921	Trim – Mach. Screw 10-24 x ¹ / ₂ Hex (SST)	6
36	WL-006-07	Lockwasher #10 Medium	6
37	FP-028-07	Pipe Plug ¹ / ₄ (Brass)	1
38	*	Pipe – Pressure	1
39	FP-088-23	Fitting – Tube Insert ³ / ₈ x ³ / ₁₆ (Brass)	1
40	FP-087-85	Fitting – Tube ³ / ₈ x ¹ / ₈ FPT (Brass)	1
41	FP-040-06	Pipe ¹ / ₈ x 7 ¹ / ₂ TBE (Brass)	1
42	00-473845-00002	Retainer – Seal	1
43	00-473844	Gasket – Retainer Seal (Mount Between Seal Retainer and Tank Bottom)	1
44	00-223422	Seal – Mechanical	1
45	00-749185	Sizing Ring Assy.	1
46	00-473835-00002	Hub – Pulping Disc	1
47	00-222271-00008	Key	1
48	WL-006-28	Lockwasher ³ / ₈ Medium	6
49	SC-059-36	Cap Screw ³ / ₈ -16 x 1 Soc. Hd.	6
50	00-473842-00001	Pulping Disc	1
51	00-749960	Pulsing Vane Wldmnt.	2
52	SC-059-36	Cap Screw ³ / ₈ -16 x 1 Soc. Hd.	4
	FE-009-32	Wire Nut (18-12 Ga.) (Use With Items 4, 5, & 6)	AR

* This item no longer available. Order Outside Standpipe Kit [749127](#) to convert to new style.



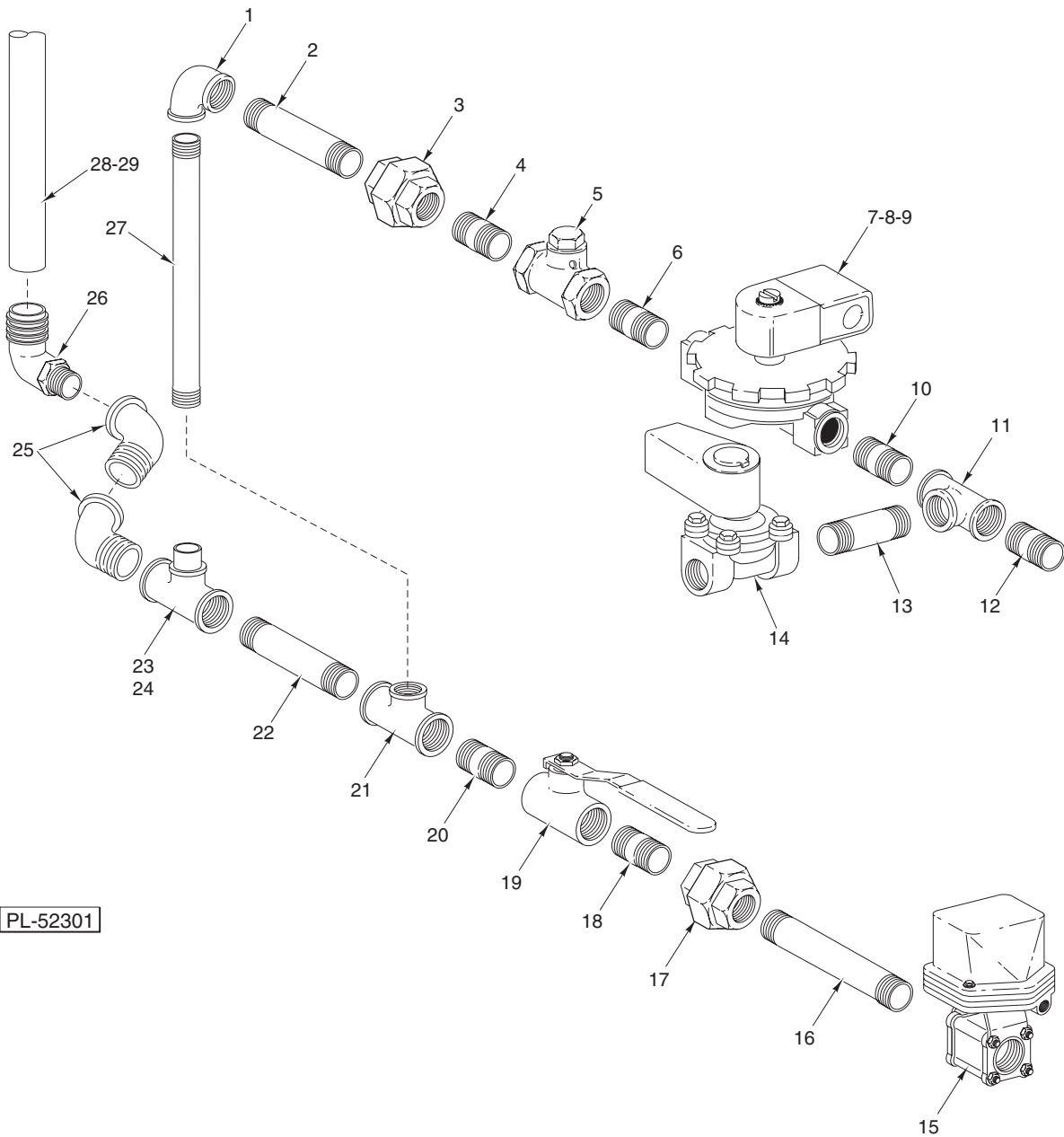
**RECIRCULATING LINE (L-R)
(NO TROUGH OR TRAY FLUSH)
(PREVIOUS CONSTRUCTION)**

ILLUS.	PART NO.	NAME OF PART	AMT.
	PL-52299		
1	FP-015-16	Elbow – Pipe 1/2 x 90 Deg. (Brass)	1
2	FP-043-36	Pipe 1/2 x 6 3/4 TBE (Brass)	1
3	FP-022-12	Union 1/2 (Grd. Seat)	1
4	FP-040-42	Pipe 1/2 x 1 1/8 TBE (Brass)	1
5	FP-063-43	Check Valve 1/2	1
6	FP-040-42	Pipe 1/2 x 1 1/8 TBE (Brass)	1
7	00-435968-00001	Valve – Solenoid	1
8	00-271839-00001	Coil – Solenoid Valve	1
9	00-271837	Service Kit – 1/2 Solenoid Valve	1
10	FP-040-42	Pipe 1/2 x 1 1/8 TBE (Brass)	1
11	FP-069-06	Tee – Pipe 1/2 x 1/2 x 1/4 (Brass)	1
12	FP-040-42	Pipe 1/2 x 1 1/8 TBE (Brass)	1
13	FP-040-14	Pipe 1/4 x 2 TBE (Brass)	1
14	00-223650	Valve – Solenoid 1/4	1
15	00-291714-00001	Valve – Motorized Ball 1 1/2	1
16	FP-088-26	Pipe 1 1/2 x 13 5/8 TBE (Brass)	1
17	FP-022-36	Union – Pipe 1 1/2 Straight Female (Brass)	1
18	FP-046-63	Pipe 1 1/2 x 1 3/4 TBE (Brass)	1
19	00-223220-00001	Valve – Ball 1 1/2	1
20	FP-046-63	Pipe 1 1/2 x 1 3/4 TBE (Brass)	1
21	FP-088-16	Tee – Pipe 1 1/2 x 1 1/2 x 1/2 (Brass)	1
22	FP-088-25	Pipe 3/4 x 12 7/8 TBE (Brass)	1
23	FP-015-32	Elbow – Pipe 1 1/2 x 90 Deg. (Brass)	1
24	FP-046-63	Pipe 1 1/2 x 1 3/4 TBE (Brass)	1
25	FP-041-07	Pipe 1/2 x 9 1/4 TBE (Brass)	1



**RECIRCULATING LINE (R-L)
(NO TROUGH OR TRAY FLUSH)
(PREVIOUS CONSTRUCTION)**

ILLUS.	PART NO.	NAME OF PART	AMT.
	PL-52690		
1	FP-040-42	Pipe 1/2 x 1 1/8 TBE (Brass)	1
2	00-435968-00001	Valve – Solenoid	1
3	00-271839-00001	Coil – Solenoid Valve	1
4	00-271837	Service Kit – 1/2 Solenoid Valve	1
5	FP-040-42	Pipe 1/2 x 1 1/8 TBE (Brass)	1
6	FP-069-06	Tee – Pipe 1/2 x 1/2 x 1/4 (Brass)	1
7	FP-040-42	Pipe 1/2 x 1 1/8 TBE (Brass)	1
8	FP-063-43	Check Valve 1/2	1
9	FP-040-42	Pipe 1/2 x 1 1/8 TBE (Brass)	1
10	FP-022-12	Union 1/2 (Grd. Seat)	1
11	FP-040-94	Pipe 1/2 x 6 5/8 TBE (Brass)	1
12	FP-015-16	Elbow – Pipe 1/2 x 90 Deg. (Brass)	1
13	FP-041-07	Pipe 1/2 x 9 1/4 TBE (Brass)	1
14	FP-046-63	Pipe 1 1/2 x 1 3/4 TBE (Brass)	1
15	FP-015-32	Elbow – Pipe 1 1/2 x 90 Deg. (Brass)	1
16	FP-088-25	Pipe 3/4 x 12 7/8 TBE (Brass)	1
17	FP-088-16	Tee – Pipe 1 1/2 x 1 1/2 x 1/2 (Brass)	1
18	FP-046-63	Pipe 1 1/2 x 1 3/4 TBE (Brass)	1
19	00-223220-00001	Valve – Ball 1 1/2	1
20	FP-046-63	Pipe 1 1/2 x 1 3/4 TBE (Brass)	1
21	FP-022-36	Union – Pipe 1 1/2 Straight Female (Brass)	1
22	FP-088-26	Pipe 1 1/2 x 13 5/8 TBE (Brass)	1
23	00-291714-00001	Valve – Motorized Ball 1 1/2	1
24	00-223650	Valve – Solenoid 1/4	1
25	FP-040-14	Pipe 1/4 x 2 TBE (Brass)	1

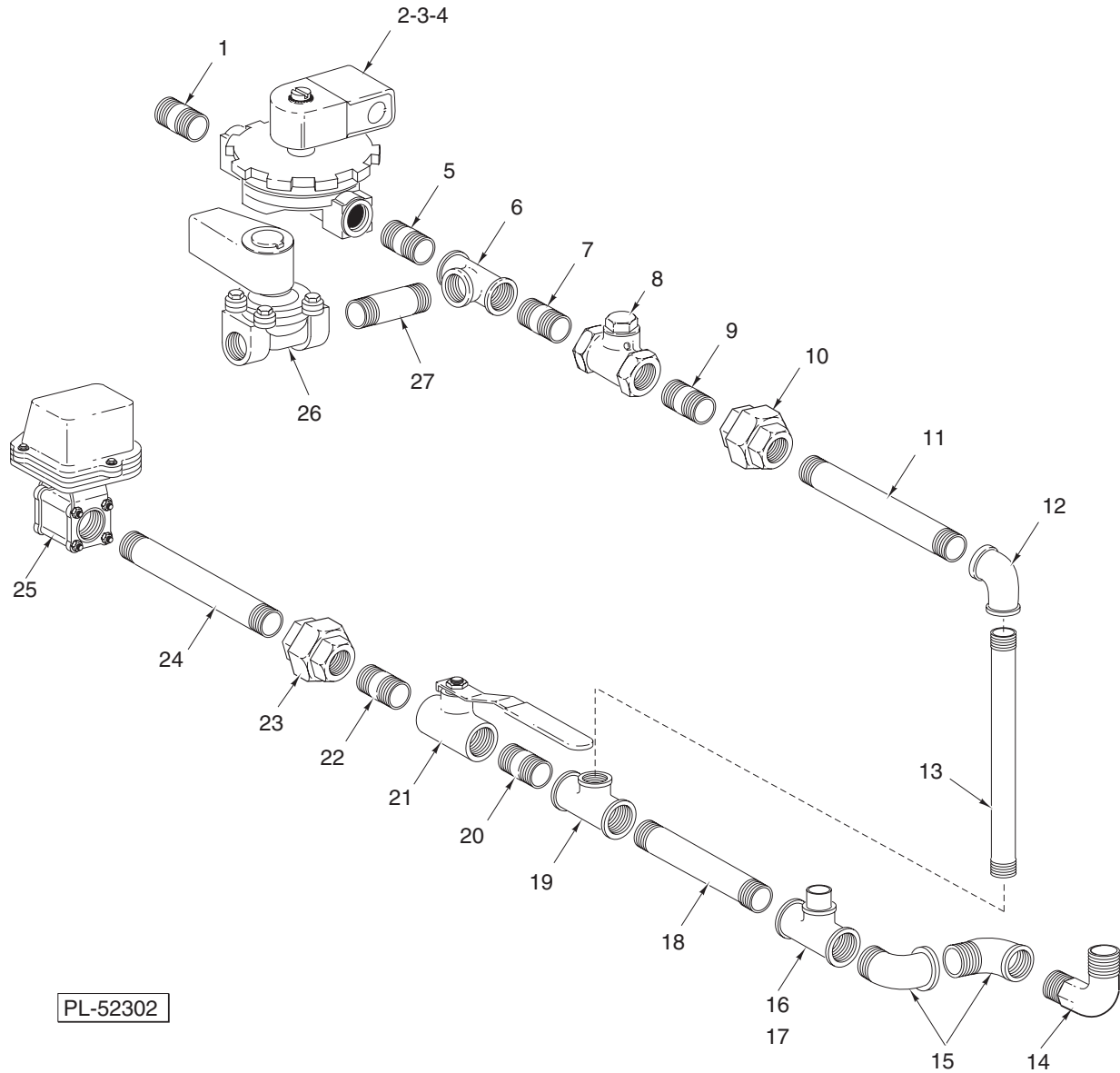


PL-52301

**RECIRCULATING LINE (L-R)
(TRAY FLUSH ONLY)
(PREVIOUS CONSTRUCTION)**

**RECIRCULATING LINE (L-R)
(TRAY FLUSH ONLY)
(PREVIOUS CONSTRUCTION)**

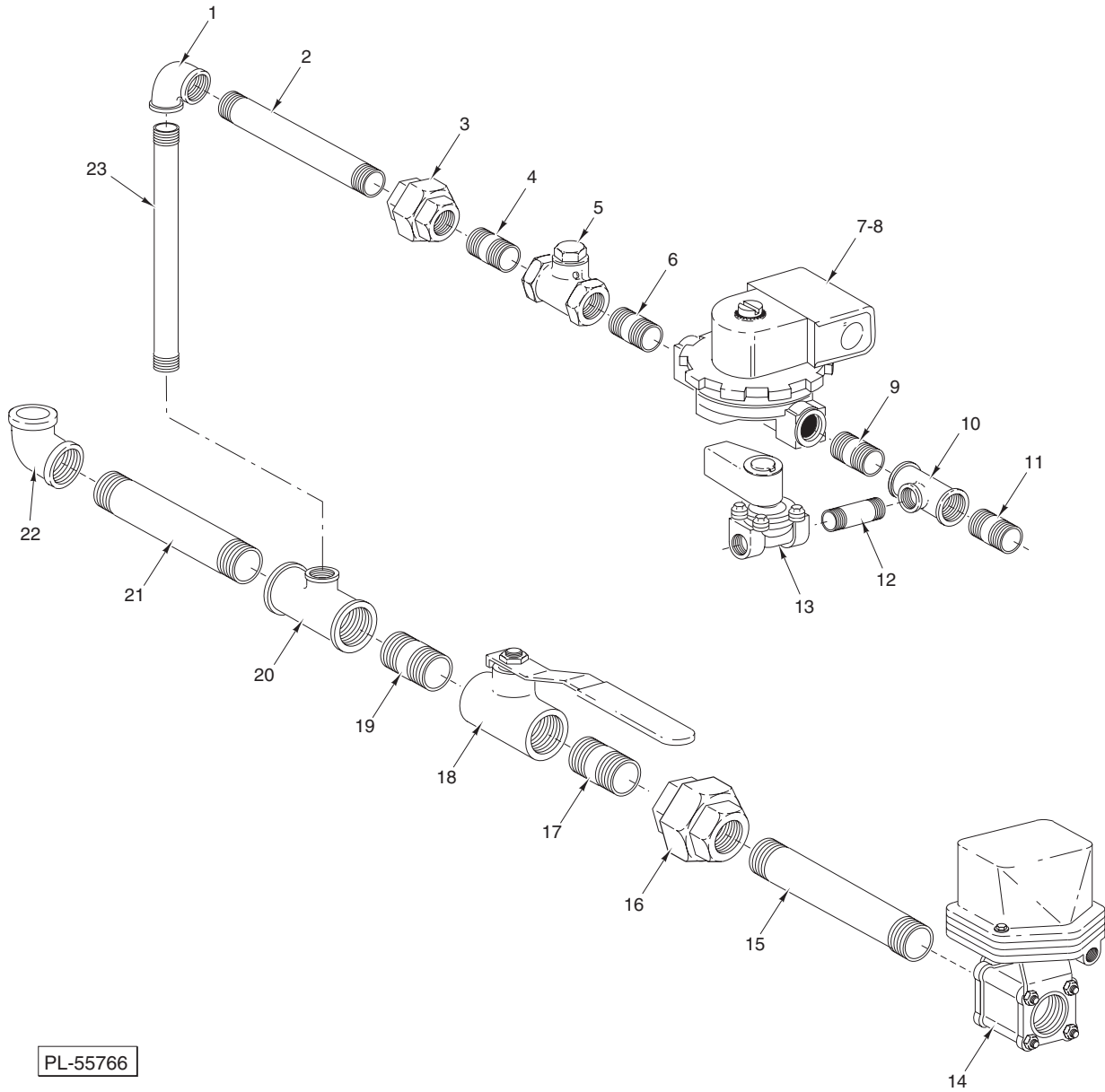
ILLUS. PL-52301	PART NO.	NAME OF PART	AMT.
1	FP-015-16	Elbow – Pipe 1/2 x 90 Deg. (Brass)	1
2	FP-043-36	Pipe 1/2 x 6 3/4 TBE (Brass)	1
3	FP-022-12	Union 1/2 (Grd. Seat)	1
4	FP-040-42	Pipe 1/2 x 1 1/8 TBE (Brass)	1
5	FP-063-43	Check Valve 1/2	1
6	FP-040-42	Pipe 1/2 x 1 1/8 TBE (Brass)	1
7	00-435968-00001	Valve – Solenoid	1
8	00-271839-00001	Coil – Solenoid Valve	1
9	00-271837	Service Kit – 1/2 Solenoid Valve	1
10	FP-040-42	Pipe 1/2 x 1 1/8 TBE (Brass)	1
11	FP-069-06	Tee – Pipe 1/2 x 1/2 x 1/4 (Brass)	1
12	FP-040-42	Pipe 1/2 x 1 1/8 TBE (Brass)	1
13	FP-040-14	Pipe 1/4 x 2 TBE (Brass)	1
14	00-223650	Valve – Solenoid 1/4	1
15	00-291714-00001	Valve – Motorized Ball 1 1/2	1
16	FP-088-15	Pipe 1 1/2 x 10 TBE (Brass)	1
17	FP-022-36	Union – Pipe 1 1/2 Straight Female (Brass)	1
18	FP-046-63	Pipe 1 1/2 x 1 3/4 TBE (Brass)	1
19	00-223220-00001	Valve – Ball 1 1/2	1
20	FP-046-63	Pipe 1 1/2 x 1 3/4 TBE (Brass)	1
21	FP-088-16	Tee – Pipe 1 1/2 x 1 1/2 x 1 1/2 (Brass)	1
22	FP-088-25	Pipe 3/4 x 12 7/8 TBE (Brass)	1
23	FP-069-11	Tee – Pipe 1 1/2 x 1 1/2 x 1 1/2 (Brass)	1
24	00-474448-00002	Plug – Return Line	1
25	FP-088-21	Elbow – Pipe 1 1/2 x 45 Deg. (Brass)	2
26	FP-087-92	Elbow – 90 Deg. 1 1/2 x 1 1/2 MPT	1
27	FP-041-07	Pipe 1/2 x 9 1/4 TBE (Brass)	1
28	00-545655	Hose	1
29	00-534651	Clamp – Hose #32	1



**RECIRCULATING LINE (R-L)
(TRAY FLUSH ONLY)
(PREVIOUS CONSTRUCTION)**

**RECIRCULATING LINE (R-L)
(TRAY FLUSH ONLY)
(PREVIOUS CONSTRUCTION)**

ILLUS. PL-52302	PART NO.	NAME OF PART	AMT.
1	FP-040-42	Pipe 1/2 x 1 1/8 TBE (Brass)	1
2	00-435968-00001	Valve – Solenoid	1
3	00-271839-00001	Coil – Solenoid Valve	1
4	0-271837	Service Kit – 1/2 Solenoid Valve	1
5	FP-040-42	Pipe 1/2 x 1 1/8 TBE (Brass)	1
6	FP-069-06	Tee – Pipe 1/2 x 1/2 x 1/4 (Brass)	1
7	FP-040-42	Pipe 1/2 x 1 1/8 TBE (Brass)	1
8	FP-063-43	Check Valve 1/2	1
9	FP-040-42	Pipe 1/2 x 1 1/8 TBE (Brass)	1
10	FP-022-12	Union 1/2 (Grd. Seat)	1
11	FP-040-94	Pipe 1/2 x 6 5/8 (Brass)	1
12	FP-015-16	Elbow – Pipe 1/2 x 90 Deg. (Brass)	1
13	FP-041-07	Pipe 1/2 x 9 1/4 TBE (Brass)	1
14	FP-087-92	Elbow – 90 Deg. 1 1/2 x 1 1/2 MPT	1
15	FP-088-21	Elbow – Pipe 1 1/2 x 45 Deg. (Brass)	2
16	FP-069-11	Tee – Pipe 1 1/2 x 1 1/2 x 1 1/2 (Brass)	1
17	00-474448-00002	Plug – Return Line	1
18	FP-088-25	Pipe 3/4 x 12 7/8 TBE (Brass)	1
19	FP-088-16	Tee – Pipe 1 1/2 x 1 1/2 x 1 1/2 (Brass)	1
20	FP-046-63	Pipe 1 1/2 x 1 3/4 TBE (Brass)	1
21	00-223220-00001	Valve – Ball 1 1/2	1
22	FP-046-63	Pipe 1 1/2 x 1 3/4 TBE (Brass)	1
23	FP-022-36	Union – Pipe 1 1/2 Straight Female (Brass)	1
24	FP-088-26	Pipe 1 1/2 x 13 5/8 TBE (Brass)	1
25	00-291714-00001	Valve – Motorized Ball 1 1/2	1
26	00-223650	Valve – Solenoid 1/4	1
27	FP-040-14	Pipe 1/4 x 2 TBE (Brass)	1

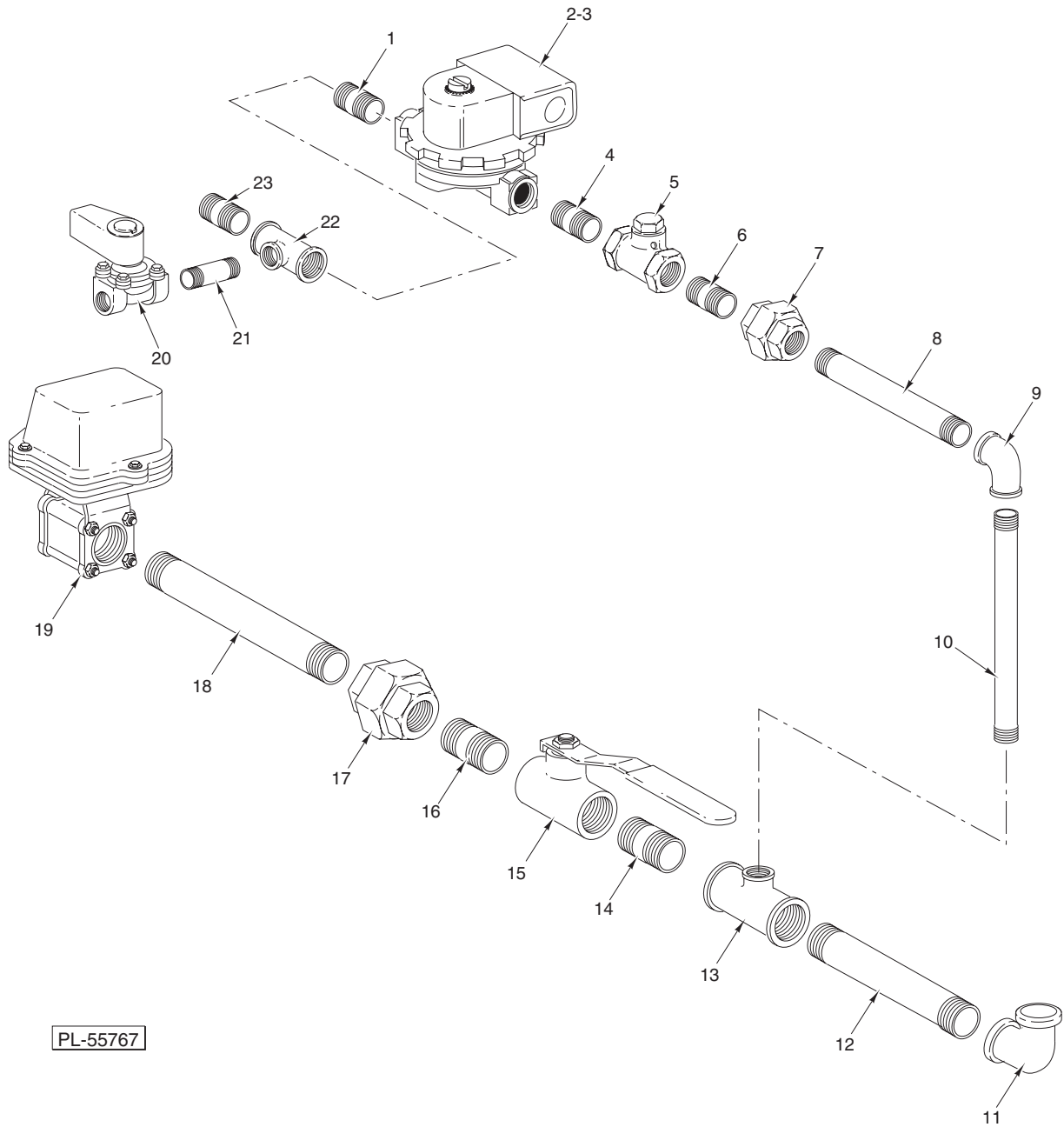


PL-55766

**RECIRCULATING LINE (L-R)
(NO TROUGH OR TRAY FLUSH)
(CURRENT CONSTRUCTION)**

**RECIRCULATING LINE (L-R)
(NO TROUGH OR TRAY FLUSH)
(CURRENT CONSTRUCTION)**

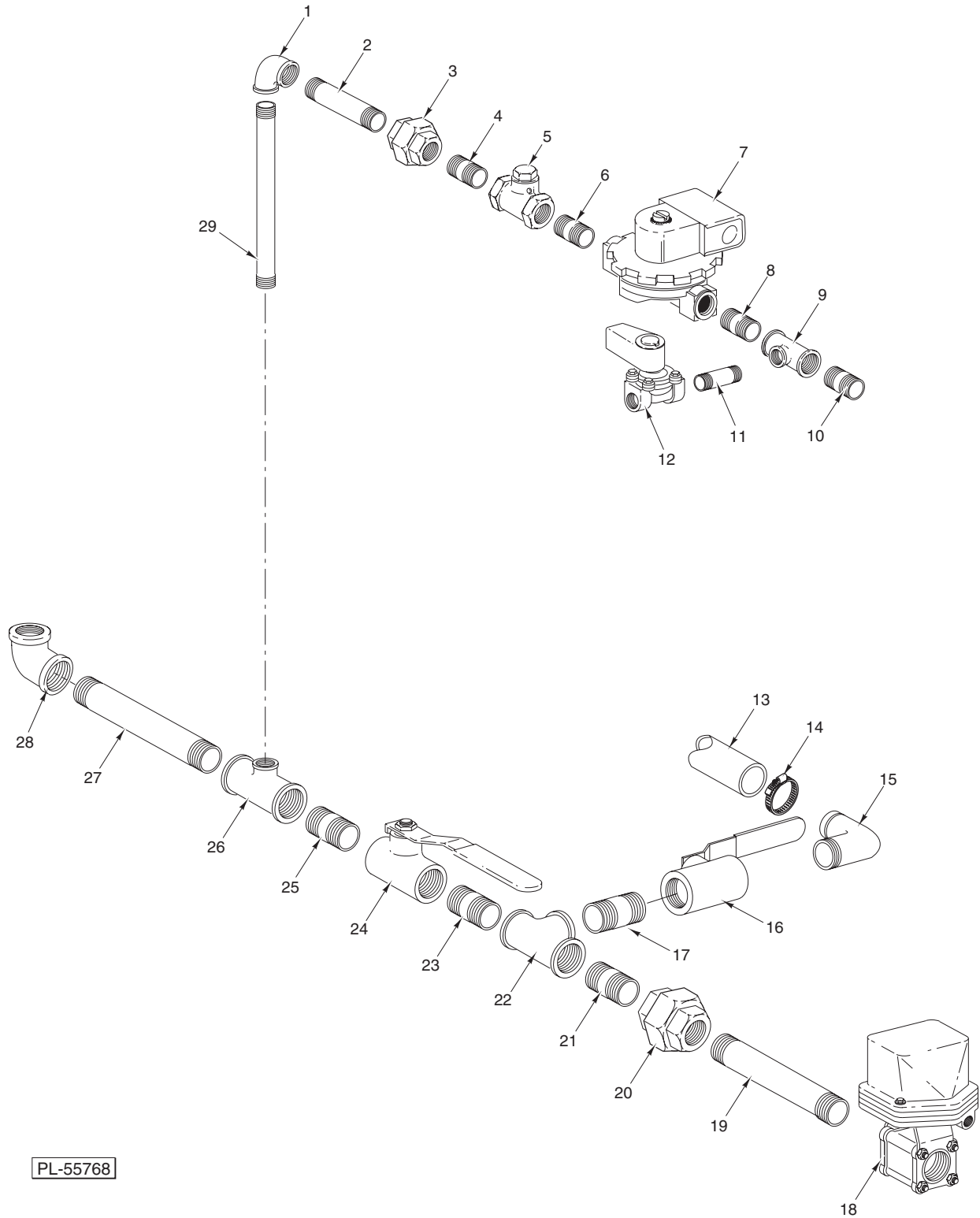
ILLUS.	PART NO.	NAME OF PART	AMT.
PL-55766			
1	FP-015-16	Elbow Pipe 1/2 x 90 Deg. (Brass)	1
2	FP-043-36	Pipe 1/2 x 6 3/4 TBE (Brass)	1
3	FP-022-12	Union 1/2 (Grd. Seat)	1
4	FP-040-42	Pipe 1/2 x 1 1/8 TBE (Brass)	1
5	FP-063-43	Valve 1/2	1
6	FP-040-42	Pipe 1/2 x 1 1/8 TBE (Brass)	1
7	00-435968-00001	Valve – Solenoid	1
8	00-271839-00001	Coil – Solenoid Valve	1
9	FP-040-42	Pipe 1/2 x 1 1/8 TBE (Brass)	1
10	FP-069-06	Tee – Pipe 1/2 x 1/2 x 1/4 (Brass)	1
11	FP-040-42	Pipe 1/2 x 1 1/8 TBE (Brass)	1
12	FP-040-14	Pipe 1/4 x 2 TBE (Brass)	1
13	00-223650	Valve – Solenoid 1/4	1
14	00-291714-00001	Valve – Motorized 1 1/2	1
15	FP-088-26	Pipe 1 1/2 x 13 5/8 TBE (Brass)	1
16	FP-022-36	Union – Pipe 1 1/2 Straight Female (Brass)	1
17	FP-046-63	Pipe 1 1/2 x 1 3/4 TBE (Brass)	1
18	00-223220-00001	Valve – Ball 1 1/2	1
19	FP-046-63	Pipe 1 1/2 x 1 3/4 TBE (Brass)	1
20	FP-088-16	Tee – Pipe 1 1/2 x 1 1/2 x 1/2 (Brass)	1
21	FP-088-25	Pipe 3/4 x 12 7/8 TBE (Brass)	1
22	FP-015-32	Elbow – Pipe 1 1/2 x 90 Deg. (Brass)	1
23	FP-041-07	Pipe 1/2 x 9 1/4 TBE (Brass)	1
	00-271837	Service Kit – 1/2 Solenoid Valve	1



**RECIRCULATING LINE (R-L)
(NO TROUGH OR TRAY FLUSH)
(CURRENT CONSTRUCTION)**

**RECIRCULATING LINE (R-L)
(NO TROUGH OR TRAY FLUSH)
(CURRENT CONSTRUCTION)**

ILLUS. PL-55767	PART NO.	NAME OF PART	AMT.
1	FP-040-42	Pipe 1/2 x 1 1/8 TBE (Brass)	1
2	00-271839-00001	Coil – Solenoid Valve	1
3	00-435968-00001	Valve – Solenoid	1
4	FP-040-42	Pipe 1/2 x 1 1/8 TBE (Brass)	1
5	FP-063-43	Check Valve 1/2	1
6	FP-040-42	Pipe 1/2 x 1 1/8 TBE (Brass)	1
7	FP-022-12	Union 1/2 (Grd. Seat)	1
8	FP-043-36	Pipe 1/2 x 6 3/4 TBE (Brass)	1
9	FP-015-16	Elbow – Pipe 1/2 x 90 Deg. (Brass)	1
10	FP-041-07	Pipe 1/2 x 9 1/4 TBE (Brass)	1
11	FP-015-32	Elbow – Pipe 1 1/2 x 90 Deg. (Brass)	1
12	FP-088-25	Pipe 3/4 x 12 7/8 TBE (Brass)	1
13	FP-088-16	Tee – Pipe 1 1/2 x 1 1/2 x 1/2 (Brass)	1
14	FP-046-63	Pipe 1/2 x 1 3/4 TBE (Brass)	1
15	00-223220-00001	Valve – Ball 1 1/2	1
16	FP-046-63	Pipe 1/2 x 1 3/4 TBE (Brass)	1
17	FP-022-36	Union – Pipe 1 1/2 Straight Female (Brass)	1
18	FP-088-26	Pipe 1 1/2 x 13 5/8 TBE (Brass)	1
19	00-291714-00001	Valve – Motorized Ball 1 1/2	1
20	00-223650	Valve – Solenoid 1/4	1
21	FP-040-14	Pipe 1/4 x 2 TBE (Brass)	1
22	FP-069-06	Tee – Pipe 1/2 x 1/2 x 1/4 (Brass)	1
23	FP-040-42	Pipe 1/2 x 1 1/8 TBE (Brass)	1
	00-271837	Service Kit – 1/2 Solenoid Valve	1

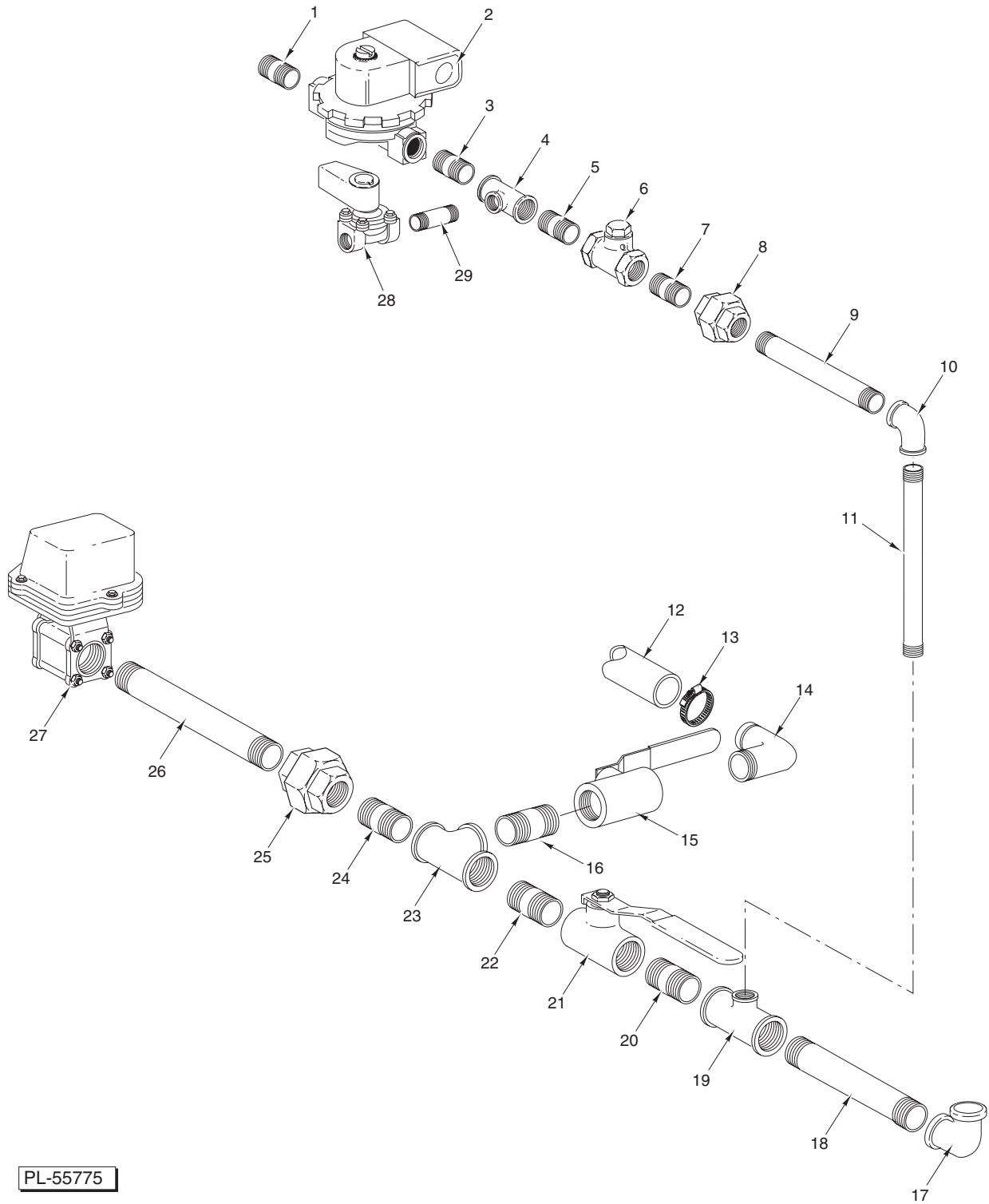


PL-55768

**RECIRCULATING LINE (L-R)
(TRAY FLUSH ONLY)
(CURRENT CONSTRUCTION)**

**RECIRCULATING LINE (L-R)
(TRAY FLUSH ONLY)
(CURRENT CONSTRUCTION)**

ILLUS. PL-55768	PART NO.	NAME OF PART	AMT.
1	FP-015-16	Elbow – Pipe 1/2 x 90 Deg. (Brass)	1
2	FP-043-36	Pipe 1/2 x 6 3/4 TBE (Brass)	1
3	FP-022-12	Union 1/2 (Grd. Seat)	1
4	FP-040-42	Pipe 1/2 x 1 1/8 TBE (Brass)	1
5	FP-063-43	Check Valve 1/2	1
6	FP-040-42	Pipe 1/2 x 1 1/8 TBE (Brass)	1
7	00-435968-00001	Valve – Solenoid	1
8	FP-040-42	Pipe 1/2 x 1 1/8 TBE (Brass)	1
9	FP-069-06	Tee – Pipe 1/2 x 1/2 x 1/4 (Brass)	1
10	FP-040-42	Pipe 1/2 x 1 1/8 TBE (Brass)	1
11	FP-040-14	Pipe 1/4 x 2 TBE (Brass)	1
12	00-223650	Valve – Solenoid 1/4	1
13	00-545655	Hose	AR
14	00-534651	Clamp – Hose	2
15	FP-087-92	Fitting – Hose	1
16	00-223220-00001	Valve – Ball 1 1/2	1
17	FP-046-63	Pipe 1 1/2 x 1 3/4 TBE (Brass)	1
18	00-291714-00001	Valve – Motorized 1 1/2	1
19	FP-088-15	Pipe 1 1/2 x 10 TBE (Brass)	1
20	FP-022-36	Union – Pipe 1 1/2 Straight Female (Brass)	1
21	FP-046-63	Pipe 1 1/2 x 1 3/4 TBE (Brass)	1
22	FP-069-11	Tee – Pipe 1 1/2 x 1 1/2 x 1 1/2 (Brass)	1
23	FP-046-63	Pipe 1 1/2 x 1 3/4 TBE (Brass)	1
24	00-223220-00001	Valve – Ball 1 1/2	1
25	FP-046-63	Pipe 1 1/2 x 1 3/4 TBE (Brass)	1
26	FP-088-16	Tee – Pipe 1 1/2 x 1 1/2 x 1/2 (Brass)	1
27	FP-088-25	Pipe 3/4 x 12 7/8 TBE (Brass)	1
28	FP-015-32	Elbow – Pipe 1 1/2 x 90 Deg. (Brass)	1
29	FP-041-07	Pipe 1/2 x 9 1/4 TBE (Brass)	1

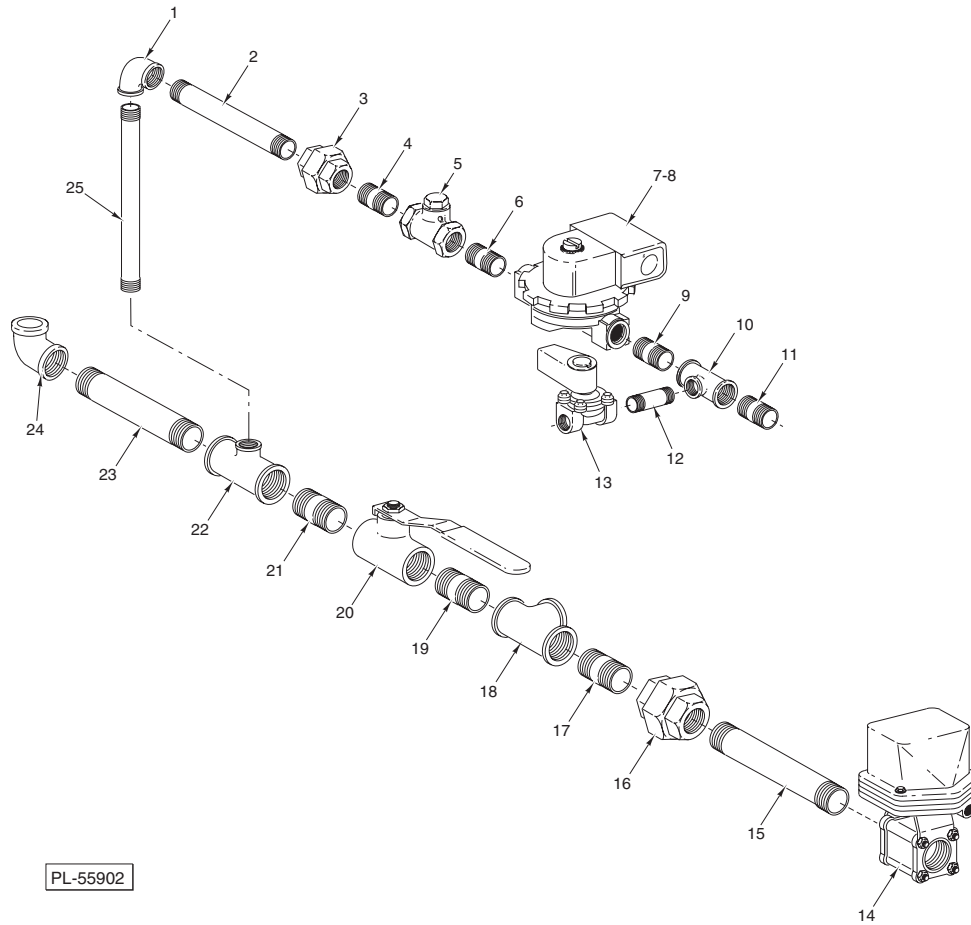


PL-55775

**RECIRCULATING LINE (R-L)
(TRAY FLUSH ONLY)
(CURRENT CONSTRUCTION)**

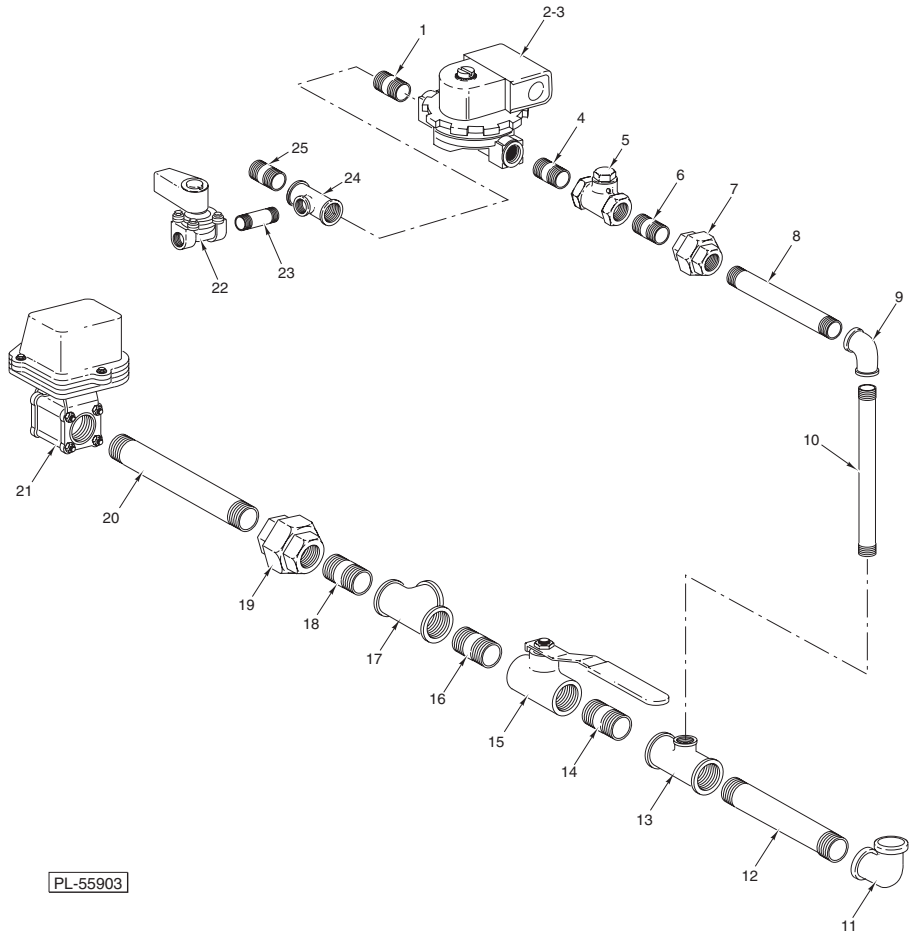
**RECIRCULATING LINE (R-L)
(TRAY FLUSH ONLY)
(CURRENT CONSTRUCTION)**

ILLUS. PL-55775	PART NO.	NAME OF PART	AMT.
1	FP-040-42	Pipe 1/2 x 1 1/8 TBE (Brass)	1
2	00-435968-00001	Valve – Solenoid	1
3	FP-040-42	Pipe 1/2 x 1 1/8 TBE (Brass)	1
4	FP-069-06	Tee – Pipe 1/2 x 1/2 x 1/4 (Brass)	1
5	FP-040-42	Pipe 1/2 x 1 1/8 TBE (Brass)	1
6	FP-063-43	Check Valve 1/2	1
7	FP-040-42	Pipe 1/2 x 1 1/8 TBE (Brass)	1
8	FP-022-12	Union 1/2 (Grd. Seat)	1
9	FP-043-36	Pipe 1/2 x 6 3/4 (Brass)	1
10	FP-015-16	Elbow – Pipe 1/2 x 90 Deg. (Brass)	1
11	FP-041-07	Pipe 1/2 x 9 1/4 TBE (Brass)	1
12	00-545655	Hose	1
13	00-534651	Clamp – Hose	2
14	FP-087-92	Fitting – Hose	1
15	00-223220-00001	Valve – Ball 1 1/2	1
16	FP-046-63	Pipe 1 1/2 x 1 3/4 TBE (Brass)	1
17	FP-015-32	Elbow – Pipe 1 1/2 x 90 Deg. (Brass)	1
18	FP-088-25	Pipe 1 1/2 x 12 7/8 TBE (Brass)	1
19	FP-088-16	Tee – Pipe 1 1/2 x 1 1/2 x 1/2 (Brass)	1
20	FP-046-63	Pipe 1 1/2 x 1 3/4 TBE (Brass)	1
21	00-223220-00001	Valve – Ball 1/2	1
22	FP-046-63	Pipe 1 1/2 x 1 3/4 TBE (Brass)	1
23	FP-069-11	Tee – Pipe 1 1/2 x 1 1/2 x 1/2 (Brass)	1
24	FP-046-63	Pipe 1 1/2 x 1 3/4 TBE (Brass)	1
25	FP-022-36	Union – Pipe 1 1/2 Straight Female (Brass)	1
26	FP-088-15	Pipe 1 1/2 x 10 TBE (Brass)	1
27	00-291714-00001	Valve – Motorized Ball 1 1/2	1
28	00-223650	Valve – Solenoid 1/4	1
29	FP-040-14	Pipe 1/4 x 2 TBE (Brass)	1



**RECIRCULATING LINE (L-R)
(TROUGH FLUSH ONLY)
(CURRENT CONSTRUCTION)**

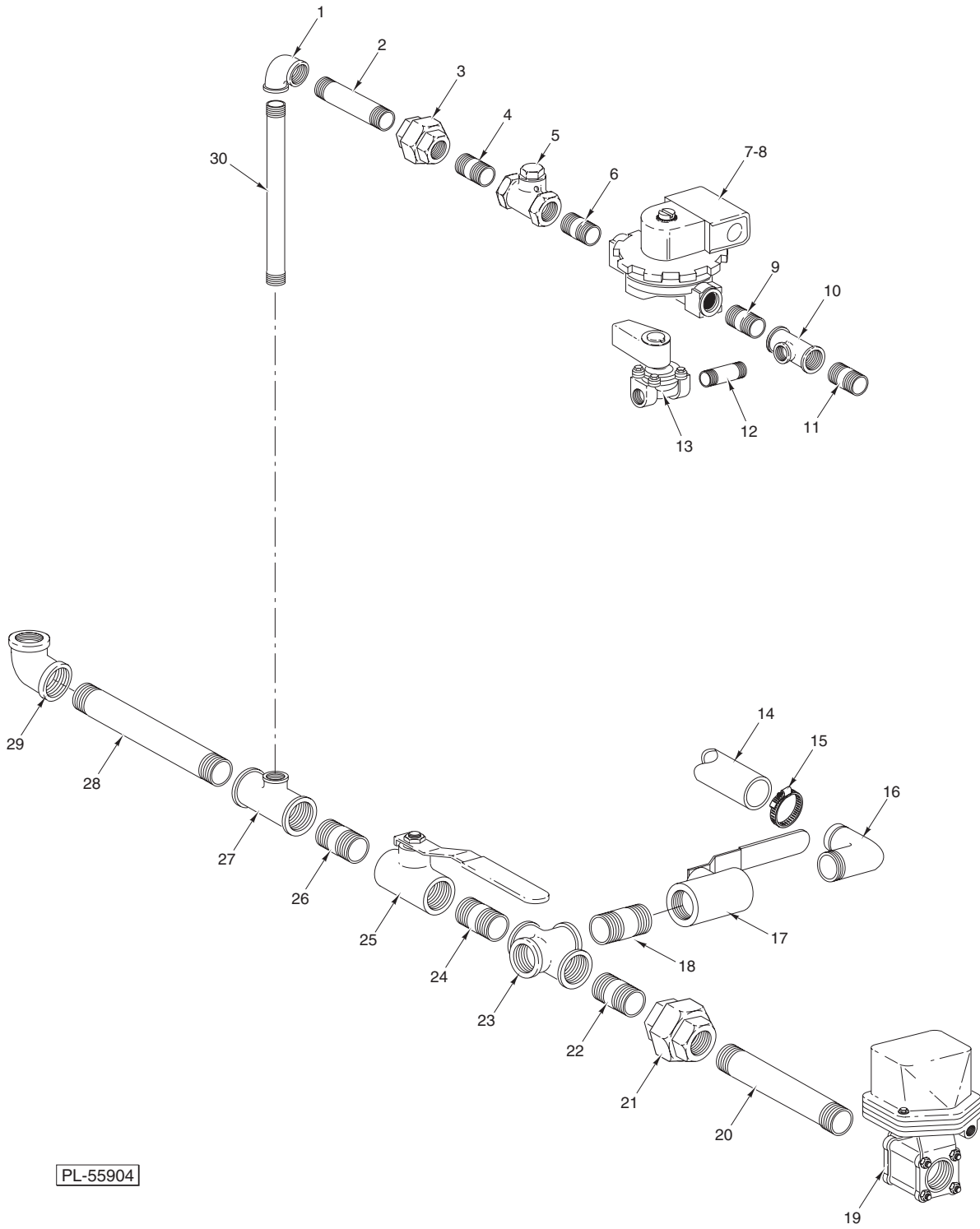
ILLUS. PL-55902	PART NO.	NAME OF PART	AMT.
1	FP-015-16	Elbow – Pipe 1/2 x 90 Deg. (Brass)	1
2	FP-043-36	Pipe 1/2 x 6 3/4 TBE (Brass)	1
3	FP-022-12	Union Pipe	1
4	FP-040-42	Pipe 1/2 x 1 1/8 TBE (Brass)	1
5	FP-063-43	Valve 1/2	1
6	FP-040-42	Pipe 1/2 x 1 1/8 TBE (Brass)	1
7	00-435968-00001	Valve – Solenoid 1/2	1
8	00-271839-00001	Coil – Solenoid Valve	1
9	FP-040-42	Pipe 1/2 x 1 1/8 TBE (Brass)	1
10	FP-069-06	Tee – Pipe 1/2 x 1/2 x 1/4 (Brass)	1
11	FP-040-42	Pipe 1/2 x 1 1/8 TBE (Brass)	1
12	FP-040-14	Pipe 1/4 x 2 TBE (Brass)	1
13	00-223650	Valve – Solenoid 1/4	1
14	00-271714-00001	Valve – Motorized 1/2	1
15	FP-088-15	Pipe 1 1/2 x 10 TBE (Brass)	1
16	FP-022-36	Union – Pipe	1
17	FP-046-63	Pipe 1 1/2 x 1 3/4 TBE (Brass)	1
18	FP-069-11	Tee – Pipe 1 1/2 x 1 1/2 x 1 1/2 (Brass)	1
19	FP-046-63	Pipe 1 1/2 x 1 3/4 TBE (Brass)	1
20	00-223220-00001	Valve – Ball 1 1/2	1
21	FP-046-63	Pipe 1 1/2 x 1 3/4 TBE (Brass)	1
22	FP-088-16	Tee – Pipe 1 1/2 x 1 1/2 x 1/2 (Brass)	1
23	FP-088-25	Pipe 3/4 x 12 7/8 TBE (Brass)	1
24	FP-015-32	Elbow – Pipe 1/2 x 90 Deg. (Brass)	1
25	FP-041-07	Pipe 1/2 x 9 1/4 TBE (Brass)	1



PL-55903

**RECIRCULATING LINE (R-L)
(TROUGH FLUSH ONLY)
(CURRENT CONSTRUCTION)**

ILLUS.	PART NO.	NAME OF PART	AMT.
	PL-55903		
1	FP-040-42	Pipe 1/2 x 1 1/8 TBE (Brass)	1
2	00-435968-00001	Valve – Solenoid	1
3	00-271839-00001	Coil – Solenoid Valve	1
4	FP-040-42	Pipe 1/2 x 1 1/8 TBE (Brass)	1
5	FP-063-43	Valve 1/2	1
6	FP-040-42	Pipe 1/2 x 1 1/8 TBE (Brass)	1
7	FP-022-12	Union – Pipe	1
8	FP-043-36	Pipe 1/2 x 6 3/4 TBE (Brass)	1
9	FP-015-16	Elbow – Pipe 1/2 x 90 Deg. (Brass)	1
10	FP-041-07	Pipe 1/2 x 9 1/4 TBE (Brass)	1
11	FP-015-32	Elbow – Pipe 1 1/2 x 90 Deg. (Brass)	1
12	FP-088-25	Pipe 1 1/2 x 12 7/8 TBE (Brass)	1
13	FP-088-16	Tee – Pipe 1 1/2 x 1 1/2 x 1/2 (Brass)	1
14	FP-046-63	Pipe 1 1/2 x 1 3/4 TBE (Brass)	1
15	00-223220-00001	Valve – Ball 1 1/2	1
16	FP-046-63	Pipe 1 1/2 x 1 3/4 TBE (Brass)	1
17	FP-069-11	Tee – Pipe 1 1/2 x 1 1/2 x 1 1/2 (Brass)	1
18	FP-046-63	Pipe 1 1/2 x 1 3/4 TBE (Brass)	1
19	FP-022-36	Union – Pipe	1
20	FP-088-15	Pipe 1 1/2 x 10 TBE (Brass)	1
21	00-291714-00001	Valve – Motorized 1 1/2	1
22	00-223650	Valve – Solenoid 1/4	1
23	FP-040-14	Pipe 1/4 x 2 TBE (Brass)	1
24	FP-069-06	Tee – Pipe 1/2 x 1/2 x 1/4 (Brass)	1
25	FP-040-42	Pipe 1/2 x 1 1/8 TBE (Brass)	1

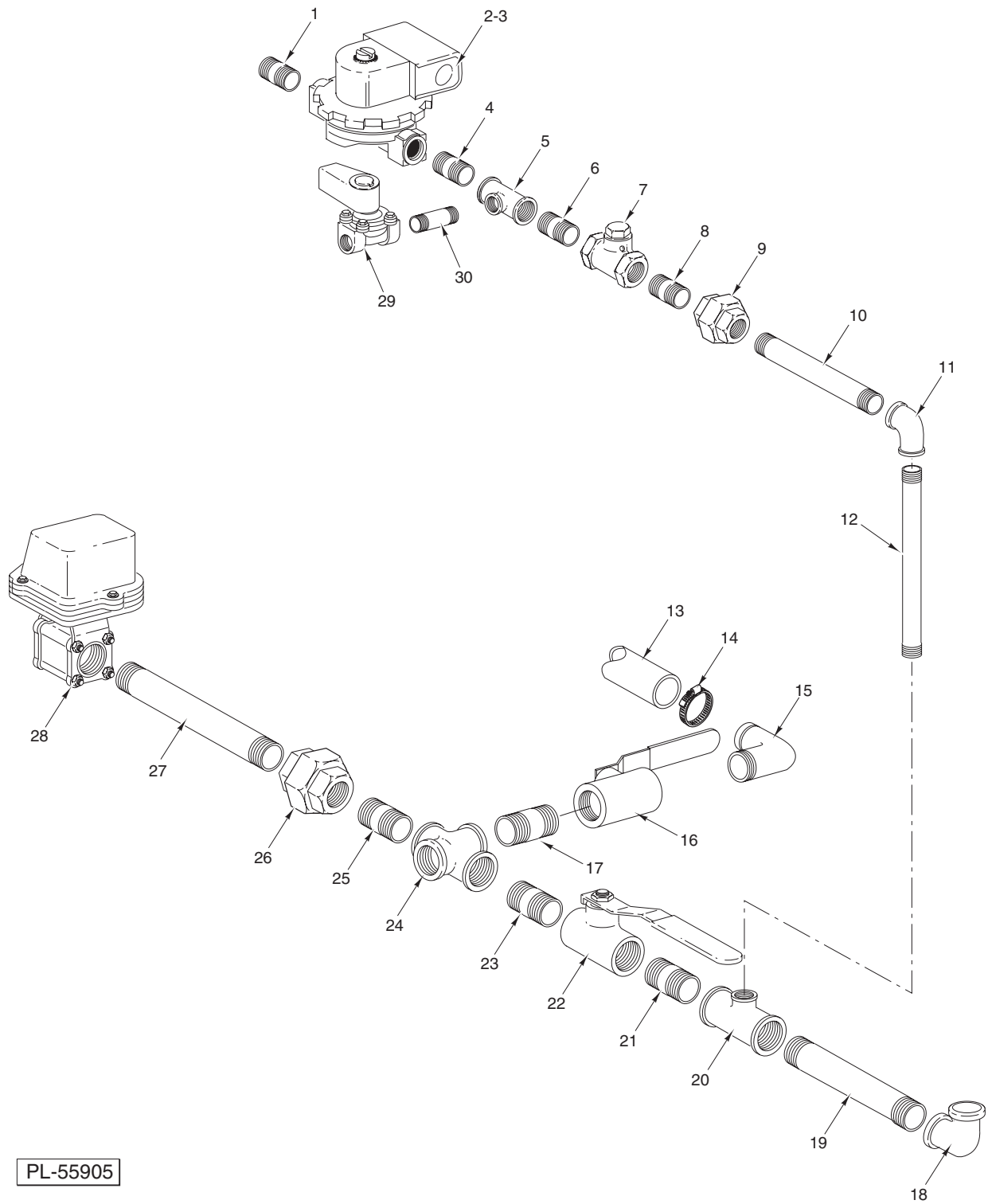


PL-55904

**RECIRCULATING LINE (L-R)
(TRAY AND TROUGH FLUSH)
(CURRENT CONSTRUCTION)**

**RECIRCULATING LINE (L-R)
(TRAY AND TROUGH FLUSH)
(CURRENT CONSTRUCTION)**

ILLUS. PL-55904	PART NO.	NAME OF PART	AMT.
1	FP-015-16	Elbow – Pipe 1/2 x 90 Deg. (Brass)	1
2	FP-043-36	Pipe 1/2 x 6 3/4 TBE (Brass)	1
3	FP-022-12	Union Pipe	1
4	FP-040-42	Pipe 1/2 x 1 1/8 TBE (Brass)	1
5	FP-063-43	Valve 1/2	1
6	FP-040-42	Pipe 1/2 x 1 1/8 TBE (Brass)	1
7	00-435968-00001	Valve – Solenoid 1/2	1
8	00-271839-00001	Coil – Solenoid Valve	1
9	FP-040-42	Pipe 1/2 x 1 1/8 TBE (Brass)	1
10	FP-069-06	Tee – Pipe 1/2 x 1/2 x 1/4 (Brass)	1
11	FP-040-42	Pipe 1/2 x 1 1/8 TBE (Brass)	1
12	FP-040-14	Pipe 1/4 x 2 TBE (Brass)	1
13	00-223650	Valve – Solenoid 1/4	1
14	00-545655	Hose	1
15	00-534651	Clamp – Hose	2
16	FP-087-92	Fitting – Hose	1
17	00-223220-00001	Valve – Ball 1 1/2	1
18	FP-046-63	Pipe 1 1/2 x 1 3/4 TBE (Brass)	1
19	00-291714-00001	Valve – Motorized 1 1/2	1
20	FP-088-15	Pipe 1 1/2 x 10	1
21	FP-022-36	Union – Pipe	1
22	FP-046-63	Pipe 1 1/2 x 1 3/4 TBE (Brass)	1
23	FP-075-98	Cross – Pipe 1 1/2 x 1 1/2 x 1 1/2 x 1 1/2 (STD)	1
24	FP-046-63	Pipe 1 1/2 x 1 3/4 TBE (Brass)	1
25	00-223220-00001	Valve – Ball 1 1/2	1
26	FP-046-63	Pipe 1 1/2 x 1 3/4 TBE (Brass)	1
27	FP-088-16	Tee – Pipe 1 1/2 x 1 1/2 x 1/2 (Brass)	1
28	FP-088-25	Pipe 1 1/2 x 12 7/8 TBE (Brass)	1
29	FP-015-32	Elbow – Pipe 1/2 x 90 Deg. (Brass)	1
30	FP-041-07	Pipe 1/2 x 9 1/4 TBE (Brass)	1

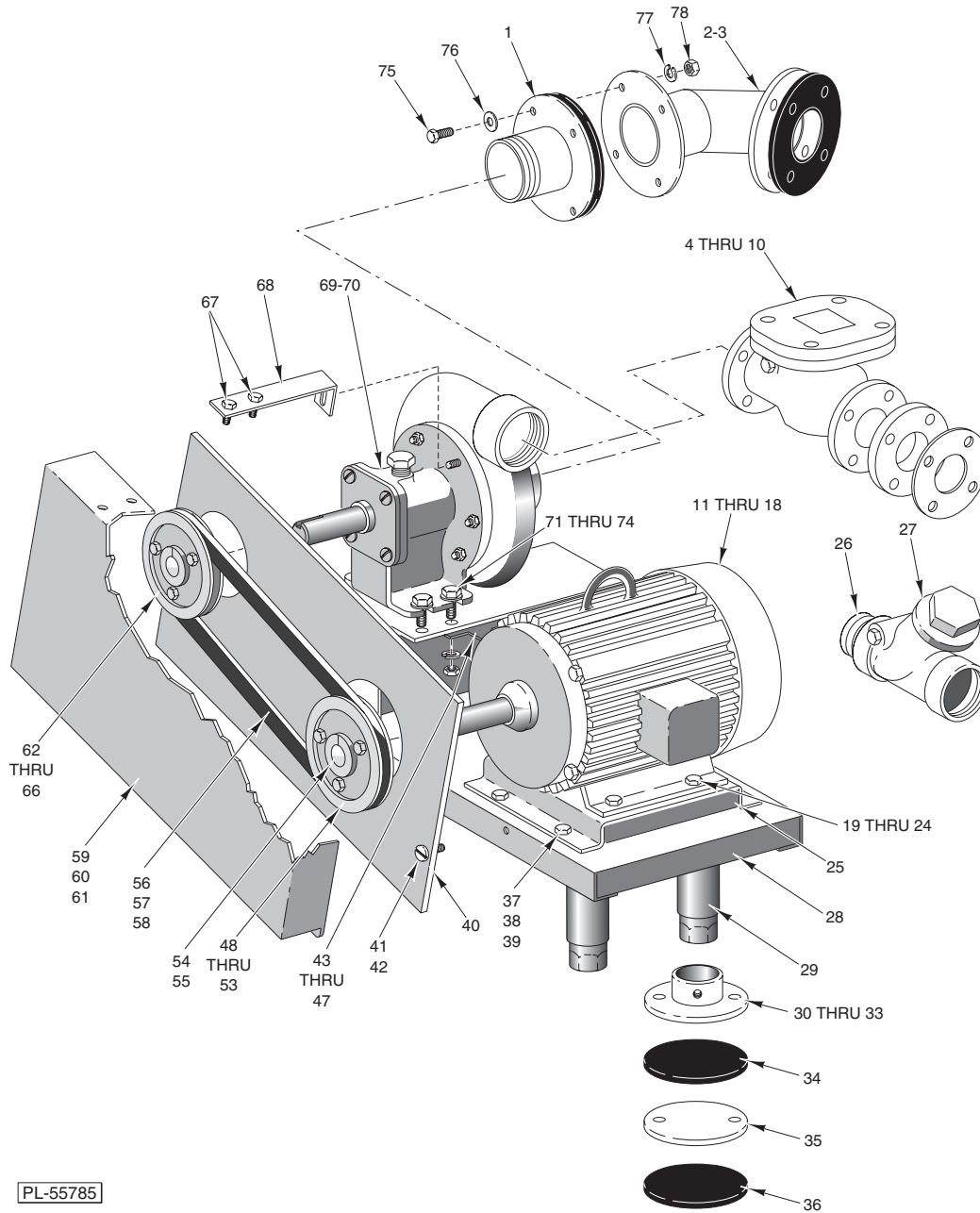


PL-55905

**RECIRCULATING LINE (R-L)
(TRAY AND TROUGH FLUSH)
(CURRENT CONSTRUCTION)**

**RECIRCULATING LINE (R-L)
(TRAY AND TROUGH FLUSH)
(CURRENT CONSTRUCTION)**

ILLUS. PL-55905	PART NO.	NAME OF PART	AMT.
1	FP-040-42	Pipe 1/2 x 1 1/8 TBE (Brass)	1
2	00-435968-00001	Valve – Solenoid 1/2	1
3	00-271839-00001	Coil – Solenoid Valve	1
4	FP-040-42	Pipe 1/2 x 1 1/8 TBE (Brass)	1
5	FP-069-06	Tee – Pipe 1/2 x 1/2 x 1/4 (Brass)	1
6	FP-040-42	Pipe 1/2 x 1 1/8 TBE (Brass)	1
7	FP-063-43	Valve 1/2	1
8	FP-040-42	Pipe 1/2 x 1 1/8 TBE (Brass)	1
9	FP-022-12	Union – Pipe	1
10	FP-043-36	Pipe 1/2 x 6 3/4 TBE (Brass)	1
11	FP-015-16	Elbow – Pipe 1/2 x 90 Deg. (Brass)	1
12	FP-041-07	Pipe 1/2 x 9 1/4 TBE (Brass)	1
13	00-545655	Hose	1
14	00-534651	Clamp – Hose	1
15	FP-087-92	Fitting – Hose	1
16	00-223220-00001	Valve – Ball 1 1/2	1
17	FP-046-63	Pipe 1 1/2 x 1 3/4 TBE (Brass)	1
18	FP-015-32	Elbow – Pipe 1 1/2 x 90 Deg. (Brass)	1
19	FP-088-25	Pipe 1 1/2 x 12 7/8 TBE (Brass)	1
20	FP-088-01	Tee – Pipe 1 1/2 x 1 1/2 x 1 1/2 (Brass)	1
21	FP-046-63	Pipe 1 1/2 x 1 3/4 TBE (Brass)	1
22	00-223220-00001	Valve – Ball 1 1/2	1
23	FP-046-63	Pipe 1 1/2 x 1 3/4 TBE (Brass)	1
24	FP-075-98	Cross – Pipe 1 1/2 x 1 1/2 x 1 1/2 x 1 1/2 (STD)	1
25	FP-046-63	Pipe 1 1/2 x 1 3/4 TBE (Brass)	1
26	FP-022-36	Union – Pipe	1
27	FP-088-15	Pipe 1 1/2 x 10 TBE (Brass)	1
28	00-291714-00001	Valve – Motorized 1 1/2	1
29	00-223650	Valve – Solenoid 1/4	1
30	FP-040-14	Pipe 1/2 x 2 TBE (Brass)	1

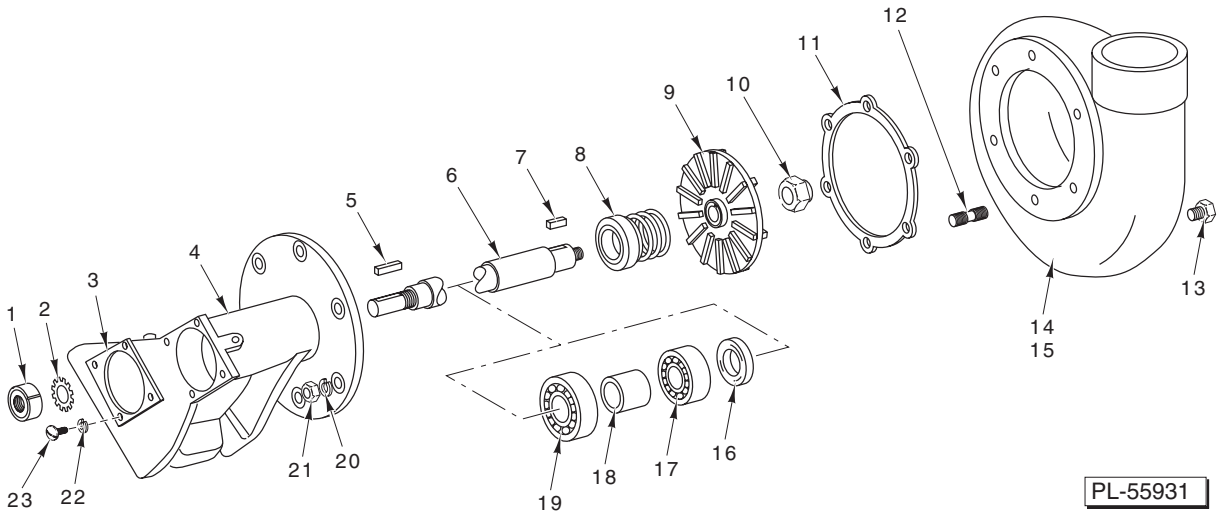


SLURRY PUMP ASSEMBLY

ILLUS.	PART NO.	NAME OF PART	AMT.
PL-55785			
1	00-476870	Pipe – Slurry (WLDMT)	1
2	00-476864	Inlet (WTRPRS) (WLDMT)	1
3	00-475723	Gasket – Slurry Inlet	1
4	00-892076	Valve – Check, Swing, Flanged, 2 In.	1
5	00-223543	Flange – Comp., 2 In.	2
6	00-223545	Gasket – Flange	2
7	SC-041-80	Cap Screw ⁵ / ₈ -11 x 2 ¹ / ₂ Hex Hd.	8
8	WS-028-31	Washer	8
9	WL-006-38	Lockwasher ⁵ / ₈	8
10	NS-015-17	Nut ⁵ / ₈ -11 Hex	8
11	00-223462-00003	Motor (2 Hp.) (200 V., 60 Hz., 3 Ph.)	1
12	00-223462-00004	Motor (2 Hp.) (230/460 V., 60 Hz., 3 Ph.; 200 V., 50 Hz., 3 Ph.)	1
13	00-223462-00005	Motor (2 Hp.) (575 V., 60 Hz., 3 Ph.)	1

SLURRY PUMP ASSEMBLY

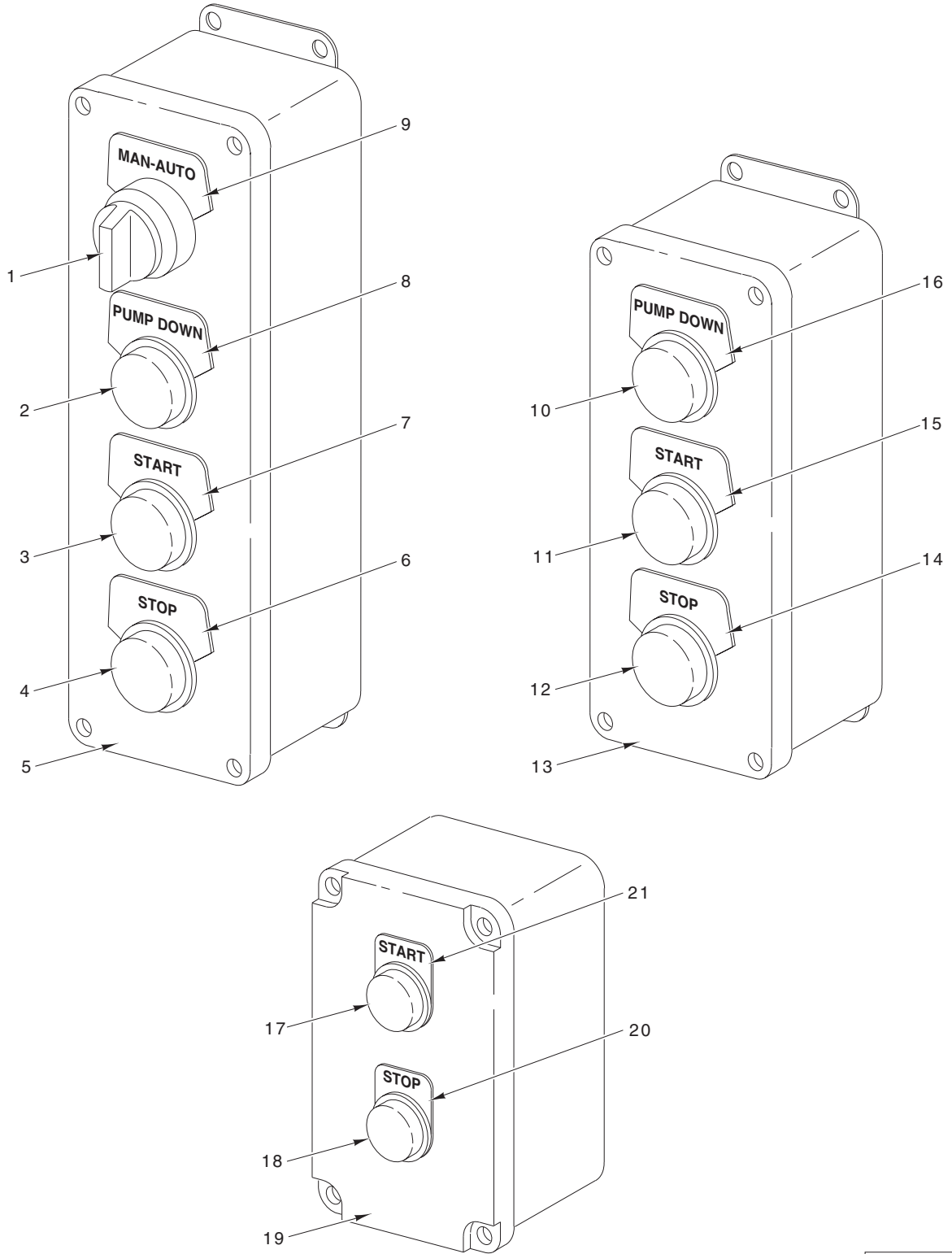
ILLUS.	PART NO.	NAME OF PART	AMT.
14	00-223463-00001	Motor (3 Hp.) (200 V., 60 Hz., 3 Ph.)	1
15	00-223463-00002	Motor (3 Hp.) (230/460 V., 60 Hz., 3 Ph.; 200 V., 50 Hz., 3 Ph.)	1
16	00-223464-00001	Motor (5 Hp.) (200 V., 60 Hz., 3 Ph.)	1
17	00-223464-00002	Motor (5 Hp.) (230/460 V., 60 Hz., 3 Ph.; 200 V., 50 Hz., 3 Ph.)	1
18	00-223464-00003	Motor (5 Hp.) (575 V., 60 Hz., 3 Ph.)	1
19	SC-041-13	Cap Screw ⁵ / ₁₆ -18 x 1 Hex Hd. (SST) (2 Hp. Motor)	4
20	SC-041-30	Cap Screw ³ / ₈ -16 x 1 Hex Hd. (SST) (3 & 5 Hp. Motor)	4
21	WL-006-23	Lockwasher ⁵ / ₁₆ Medium (SST) (2 Hp. Motor)	4
22	WL-006-28	Lockwasher ³ / ₈ Medium (3 & 5 Hp. Motor)	4
23	NS-015-11	Nut ⁵ / ₁₆ -18 Hex (2 Hp. Motor)	4
24	NS-015-13	Nut ³ / ₈ -16 Hex (SST) (3 & 5 Hp. Motor)	4
25	00-223058	Plate – Motor	1
26	FP-043-06	Pipe – 2 x 2 Lg. TBE (Brass)	1
27	00-223046-00003	Check Valve – 2 (Previous Construction)	1
28	00-223056	Base Assy.	1
29	00-473868-00002	Leg Set (Slurry Pump)	3
30	00-473869	Foot	3
31	SC-055-27	Set Screw ⁵ / ₁₆ -24 x ⁵ / ₁₆ Hdls., Cup Pt. (Use With Item 30)	3
32	SC-109-47	Cap Screw ¹ / ₄ -20 x ⁷ / ₈ Hex Hd.	6
33	WL-006-17	Lockwasher ¹ / ₄ Medium	6
34	00-329336-00001	Pad – Rubber Waffle W/Holes	3
35	00-329335	Spacer	3
36	00-329336-00002	Pad – Rubber Waffle W/O Holes	3
37	SC-041-13	Cap Screw ⁵ / ₁₆ -18 x 1 Hex Hd. (SST)	4
38	WL-006-23	Lockwasher ⁵ / ₁₆ Medium (SST)	4
39	00-474439	Plate – Nut Slurry Pump Base	2
40	00-223059	Plate – Belt Guard Back	1
41	SC-021-24	Mach. Screw 10-24 x ⁵ / ₈ Rd. Hd.	3
42	WL-006-07	Lockwasher #10 Medium	3
43	00-223379-00001	Strap – Tie	1
44	SC-041-31	Cap Screw ³ / ₈ -16 x 1 ¹ / ₄ Hex Hd.	5
45	WS-018-40	Washer	5
46	WL-006-28	Lockwasher ³ / ₈ Medium	5
47	NS-015-13	Nut ³ / ₈ -16 Hex (SST)	5
48	00-223468-00002	Sheave – Motor (2 Hp., 60 Hz.)	1
49	00-223468-00004	Sheave – Motor (2 Hp., 50 Hz.)	1
50	00-223468-00005	Sheave – Motor (3 Hp., 60 Hz.)	1
51	00-223468-00006	Sheave – Motor (3 Hp., 50 Hz.)	1
52	00-223468-00008	Sheave – Motor (5 Hp., 60 Hz.)	1
53	00-223468-00009	Sheave – Motor (5 Hp., 60 Hz.)	1
54	00-223465-00002	Hub – Sheave (2 Hp. Motor, ⁷ / ₈ Bore) (Incls. Key)	1
55	00-223465-00001	Hub – Sheave (3 Hp. & 5 Hp. Motor, 1 ¹ / ₈ Bore) (Incls. Key)	1
56	BV-013-02	V-Belt (A38) (2 Hp. & 3 Hp., 50 or 60 Hz.)	1
57	BV-013-05	V-Belt (B-42) (5 Hp., 60 Hz.)	1
58	BV-013-06	V-Belt (B-46) (5 Hp., 50 Hz.)	1
59	00-223198	Belt Guard Assy.	1
60	SC-021-24	Mach. Screw 10-24 x ⁵ / ₈ Rd. Hd.	3
61	WL-006-07	Lockwasher #10 Medium	3
62	00-223468-00002	Sheave – Pump (2 Hp. & 3 Hp., 60 Hz.)	1
63	00-223468-00001	Sheave – Pump (2 Hp. & 3 Hp., 50 Hz.)	1
64	00-223468-00004	Sheave – Pump (5 Hp., 60 Hz.)	1
65	00-223468-00005	Sheave – Pump (5 Hp., 50 Hz.)	1
66	00-223465-00005	Hub – Sheave (Pump, ⁵ / ₈ Bore) (Incls. Key)	1
67	SD-032-01	Self-Tapping Screw 10-24 x ³ / ₈ Hex Hd., Type F	2
68	00-223040-00002	Clip – Belt Guard	1
69	00-223475-00001	Pump Assy. (RH Pump)	1
70	00-223475-00002	Pump Assy. (LH Pump)	1
71	SC-041-31	Cap Screw ³ / ₈ -16 x 1 ¹ / ₄ Hex Hd.	4
72	WS-018-40	Washer	4
73	WL-006-28	Lockwasher ³ / ₈ Medium	4
74	NS-015-13	Nut ³ / ₈ -16 Hex (SST)	4
75	SC-041-45	Cap Screw ¹ / ₂ -13 x 1 ¹ / ₂ Hex Hd.	8
76	WS-020-11	Washer	16
77	WL-006-35	Lockwasher ¹ / ₂	8
78	NS-015-20	Nut ¹ / ₂ -13 Hex (SST)	8



SLURRY PUMP UNIT

SLURRY PUMP UNIT

ILLUS.	PART NO.	NAME OF PART	AMT.
PL-55931			
1	00-223625-00016	Lock Nut – Shaft	1
2	00-223625-00005	Lockwasher	1
3	00-223625-00012	Retainer – Bearing	1
4	00-223625-00001	Body – Pump	1
5	00-223625-00015	Key – Shaft	1
6	00-223625-00006	Shaft	1
7	00-223625-00013	Key – Impeller	1
8	00-223625-00007	Seal Assy.	1
9	00-222366-00003	Impeller – MP Pump	1
10	00-223625-00014	Lock Nut – Impeller	1
11	00-223625-00019	Shim	4
12	00-223625-00004	Stud	6
13	00-223625-00018	Plug – 1/4 Pipe	1
14	00-223625-00002	Housing – Pump (RH)	1
15	00-223625-00003	Housing – Pump (LH)	1
16	00-223625-00011	Slinger	1
17	00-223625-00008	Ball Bearing	1
18	00-223625-00010	Spacer	1
19	00-223625-00009	Ball Bearing	1
20	WL-006-28	Lockwasher 3/8 Medium	6
21	NS-015-13	Nut 3/8-16 Hex Fin.	6
22	WL-006-17	Lockwasher 1/4 Medium	4
23	00-223625-00017	Mach. Screw 1/4-20 Rd. Hd.	4
	00-223625-00020	Housing Assy. (Incls. Items 12, 13, & 14) (RH)	1
	00-223625-00021	Housing Assy. (Incls. Items 12, 13, & 15) (LH)	1

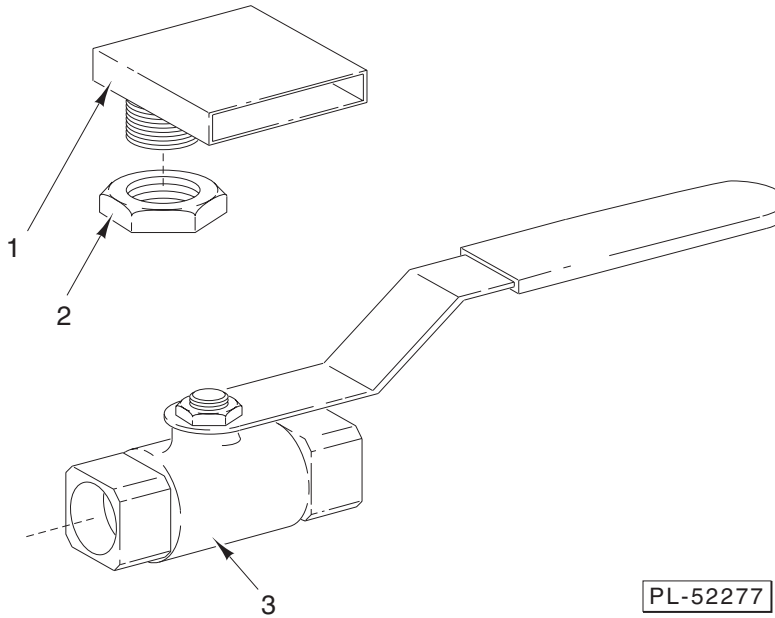


PL-55804

JUNCTION BOX

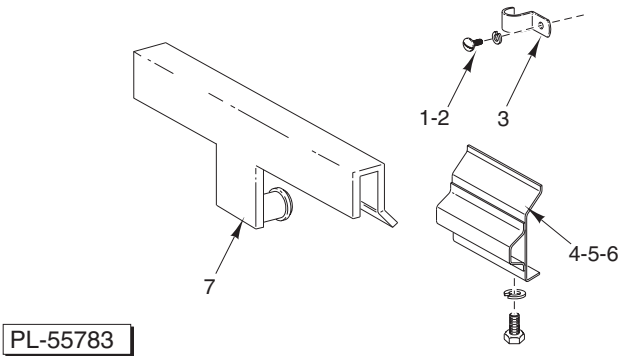
JUNCTION BOX

ILLUS.	PART NO.	NAME OF PART	AMT.
PL-55804			
1	00-087711-163-4	Block – Contact	1
2	00-087711-161-6	Switch – Pushbutton	1
3	00-087711-161-4	Switch – Pushbutton	1
4	00-087711-161-2	Switch – Pushbutton	1
5	00-223656	Enclosure – PB (4-Hole)	1
6	00-087711-166-2	Plate – Legend (Stop)	1
7	00-087711-166-1	Plate – Legend (Start)	1
8	00-087711-166-8	Plate – Legend (Pump Down)	1
9	00-087711-166-3	Plate – Legend Man-Auto (To Match)	1
10	00-087711-161-6	Switch – Pushbutton	1
11	00-087711-161-4	Switch – Pushbutton	1
12	00-087711-161-2	Switch – Pushbutton	1
13	00-223654	Enclosure – PB (3-Hole)	1
14	00-087711-166-2	Plate – Legend (Stop)	1
15	00-087711-166-1	Plate – Legend (Start)	1
16	00-087711-166-8	Plate – Legend (Pump Down)	1
17	00-087711-161-4	Switch – Pushbutton	1
18	00-087711-161-2	Switch – Pushbutton	1
19	00-223792	Enclosure – Pushbutton (2-Hole)	1
20	00-087711-166-2	Plate – Legend (Stop)	1
21	00-087711-166-1	Plate – Legend (Start)	1



ACCESSORIES

ILLUS.	PART NO.	NAME OF PART	AMT.
PL-52277			
1	00-289343	Nozzle – Hose	1
2	FP-030-07	Lock Nut – Pipe 1½ MP SL	1
3	00-287997-00001	Valve – 1½ Ball (Solder Joints)	1



TRAY FLUSH NOZZLE ACCESSORIES

ILLUS.	PART NO.	NAME OF PART	AMT.
PL-55783			
1	SC-041-11	Cap Screw $\frac{5}{16}$ -18 x $\frac{3}{4}$ Hex Hd. (SST)	2
2	WL-006-23	Lockwasher $\frac{5}{16}$ Medium (SST)	2
3	00-473732	Clamp – Jiffy	2
4	00-473729	Clamp – Fan	1
5	SC-041-02	Cap Screw $\frac{1}{4}$ -20 x 1 Hex Hd.	2
6	WL-006-17	Lockwasher $\frac{1}{4}$ Medium	2
7	00-749235	Tray – Fan	1

