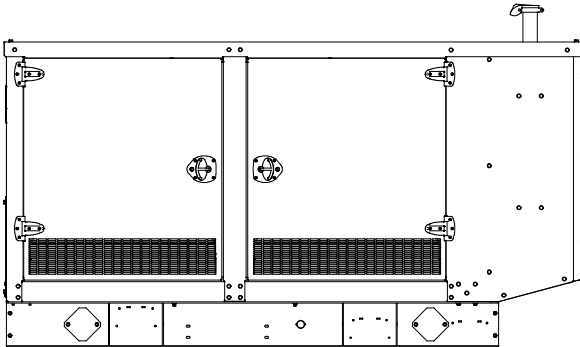
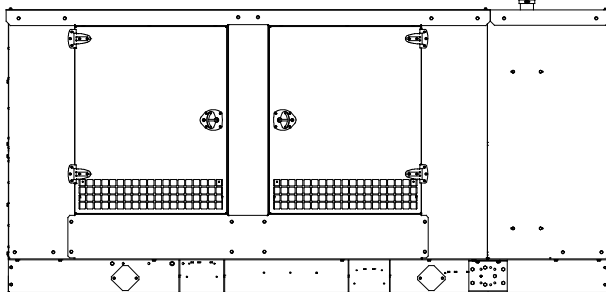


Weather and Sound Enclosures



KG40- KG60



KG80- 125

Available Approvals and Listings

- UL 2200 Listing
- CSA Certified
- IBC Seismic Certification
- Hurricane Rated Enclosure - Available on sound aluminum
(Impact rated for Large Missile Level E and Wind load rated per Florida Building Code tested to TAS201-94, TAS202-94 and TAS203-94 standards)

NOTE: Some models may have limited third-party approvals; see your local distributor for details.

**Applicable to the following:
KG40- 125**

Weather Enclosure Standard Features

- Internal-mounted critical silencer and flexible exhaust connector.
- Skid-mounted, steel construction with hinged doors.
- Fade-, scratch-, and corrosion-resistant Kohler® Power Armor™ automotive-grade textured finish.
- Enclosure has four access doors which allow for easy maintenance.
- Lockable, flush-mounted door latches.
- Vertical air outlet discharge to redirect air and reduce noise.
- Steel weather enclosure is analyzed to 150 mph (241 kph) wind load rating.

Sound Enclosure Standard Features

- Includes all of the weather enclosure features with the addition of acoustic insulation material.
- Skid-mounted, steel or aluminum construction with hinged doors. Aluminum enclosures are recommended for high humidity and/or high salt/coastal regions.
- Acoustic insulation that meets UL 94 HF1 flammability classification and repels moisture absorption.
- Sound attenuated enclosure that uses up to 51 mm (2 in.) of acoustic insulation, acoustic-lined air inlet hoods, and acoustic-lined air discharge hood.
- Aluminum sound enclosure is certified to 186 mph (299 kph) wind load rating.
- Steel sound enclosure is analyzed to 150 mph (241 kph) wind load rating.

Weather and Sound Enclosure Specifications

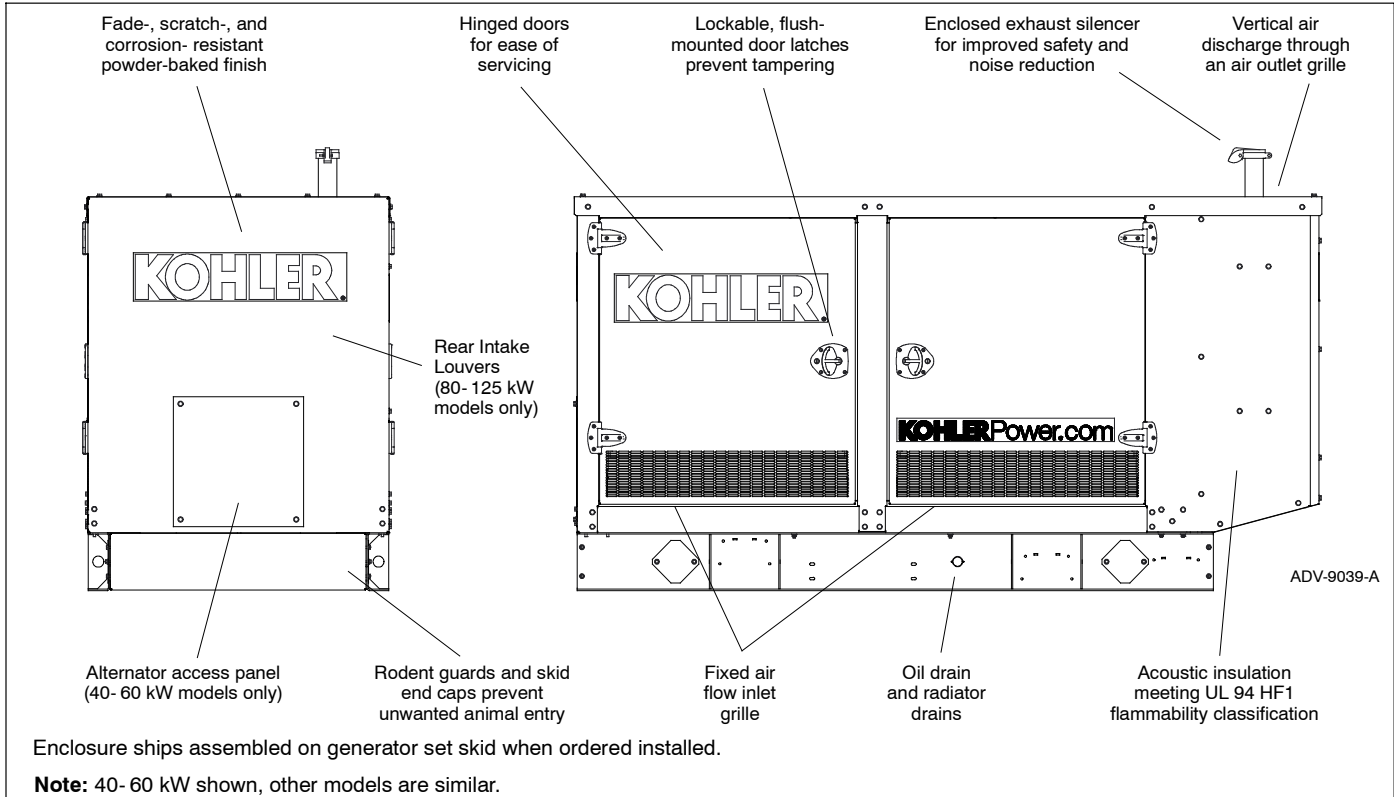
Model	Max. Dimensions, mm (in.)			Weight, kg (lb.) *			Sound Pressure Level at 60 Hz with Full Load, Weather/Sound, dB(A) †
	Length	Width	Height	Steel Weather Enclosure	Steel Sound Enclosure	Aluminum Sound Enclosure	
KG40	2585 (101.8)	1078 (42.4)	1531 (60.3)	1046 (2307)	1051 (2318)	959 (2115)	79/64
KG45				1101 (2427)	1106 (2438)	1014 (2235)	79/65
KG50							79/67
KG60							79/68
KG80	3525 (138.8)	1154 (45.4)	1709 (67.3)	1417 (3123)	1427 (3146)	1337 (2948)	84/69
KG100			1713 (67.4)	1605 (3539)	1616 (3562)	1515 (3340)	81/69
KG125				1605 (3539)	1616 (3562)	1515 (3340)	81/71

Note: Data in table is for reference only, refer to the respective ADV drawings for details.

* Max. weight includes the generator set (wet) with largest alternator option, enclosure, and silencer.

† Log average sound pressure level of 8 measured positions around the perimeter of the unit at a distance of 7 m (23 ft). Refer to TIB-114 for details.

Weather and Sound Enclosure



Enclosure Features

- Available in steel (14 gauge) formed panel, solid construction. Preassembled package offering corrosion resistant, dent resilient structure mounting directly to skid.
- Power Armor™ automotive-grade finish resulting in advanced corrosion and abrasion protection as well as enhanced edge coverage and color retention.
- Internal critical exhaust silencer offering maximum component life and operator safety.

NOTE: Installing an additional length of exhaust tail pipe may increase backpressure levels. Please refer to the generator set spec sheet for the maximum backpressure value.

- Interchangeable modular panel construction. Allows complete serviceability or replacement without compromising enclosure design.
- Cooling/combustion air intake with a horizontal air inlet. Sized for maximum cooling airflow.
- Service access. Multi-personnel doors for easy access to generator set control and servicing of the oil fill and battery.
- Cooling air discharge. Weather protective design featuring a vertical air discharge outlet grille. Redirects cooling air up and above enclosures to reduce noise ambient.
- Enclosed critical silencer and three-way catalyst standard on KG100 and KG125 (optional on KG80).

Additional Sound Enclosure Features

- Available in steel (14 gauge) or aluminum 3.2 mm (0.125 in.) formed panel, solid construction.
- Sound-attenuating design. Mechanically restrained acoustic insulation UL 94 HF1 listed for flame resistance.
- Cooling air discharge. The sound enclosures include acoustic insulation with urethane film.

DISTRIBUTED BY: