

GRAPPLE BUCKET ASSEMBLY

ASSEMBLY# 90F0855

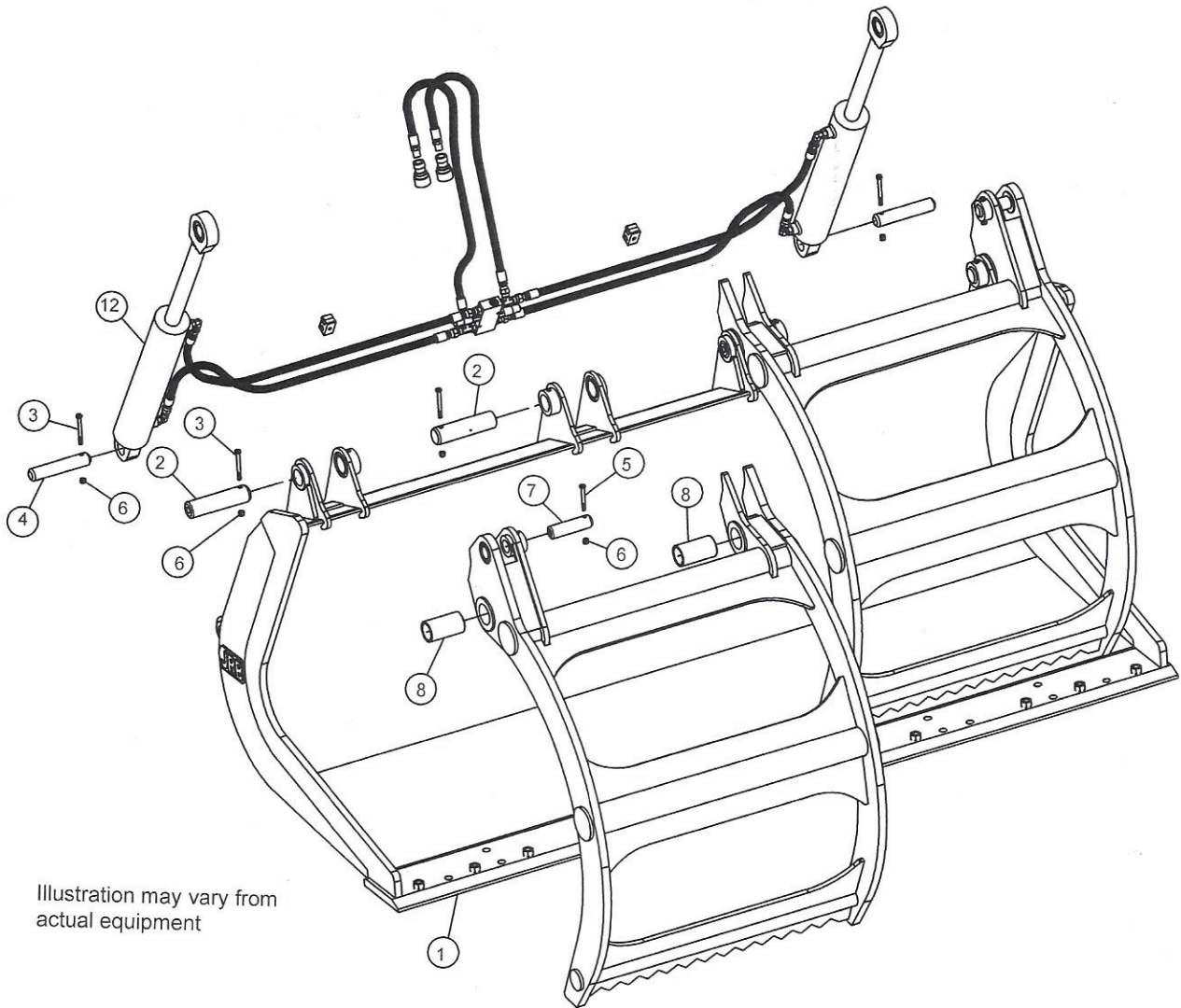


Illustration may vary from actual equipment

ITEM	PART NO.	DESCRIPTION	QTY
•	D21298	Grapple Bucket Assy (includes Items 1-9)	1
1	B19125	Cutting Edge, Weld-In	1
2	A11373	Pin, Arm Pivot	4
3	104038160350	Bolt, 3/8"-16 x 3-1/2" HHCS Gr. 8	6
4	A12191	Pin, Cylinder Base	2
5	104038160300	Bolt, 3/8"-16 x 3" HHCS Gr. 8	2
6	148038160000	Locknut, 3/8"-16, Gr. 8	8
7	A11355	Pin, Cylinder Rod	2
8	A11353	Bushing	4
9	A31294-1	Grease Zerk	2
See following pages for items below			
10	92A0100	Bolt-On Edge Kit	1
11	94A0013	Bolt-On Wear Pad Kit	1
12	96F0138	Hydraulic Kit	1