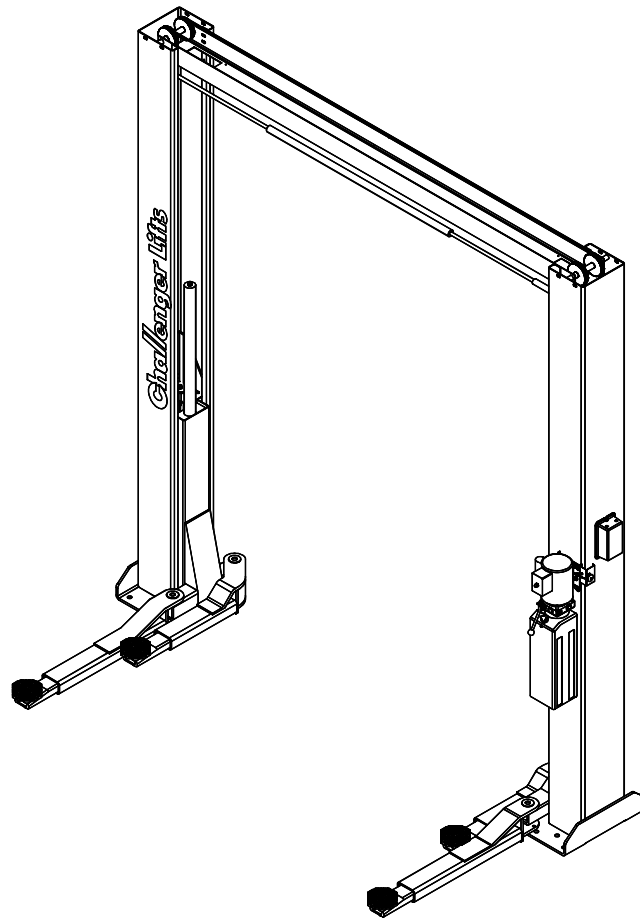


INSTALLATION, OPERATION & MAINTENANCE MANUAL

Versymmetric™ Two Post Surface Mounted Lift



MODEL 39000

200 Cabel Street, P.O. Box 3944 Louisville, Kentucky 40201-3944
Email: sales@challengerlifts.com Web site: www.challengerlifts.com

Office 800-648-5438 / 502-625-0700 Fax 502-587-1933

**IMPORTANT: READ THIS MANUAL COMPLETELY BEFORE
INSTALLING or OPERATING LIFT**

General Specifications

Maximum Capacity*	9000 US Pounds (2250 Pounds Per Arm)
Lifting Time**	Approximately 1 Minute
Lowering Time**	Approximately 45 Seconds
Motor	2HP, 230 Volts, Single Phase, 60 Hz. Optional-2HP, 208 or 240 or 480 Volt, 3 Phase, 50/60 Hz.
Air Supply (For air locks only)	85-115 psi (clean dry air)

Dimensions

Overall Width	130 ½ Inches
Overall Height	141 ¾ Inches
Width Between Columns	109 Inches
Height of Rise	78 ½ Inches
Height at Full Rise	150 Inches
Overhead Clearance	132 Inches
Drive Through Clearance	86 ¾ Inches
Pick-Up Pad Height	4 ½ Inches

* Lift capacity ratings are based on loads equally distributed on all four arms.

** Lifting and lowering speeds may vary depending on the type and viscosity of the oil in the system and the temperature of the oil.

Important!!!

Before You Install

1. Before installing your Challenger 2-Post lift, inspect the lift to insure that it is complete and undamaged. Challenger 2-Post lifts are shipped ready to assemble to facilitate shipping and reduce damage. If it is apparent that the lift has been mishandled in shipment, or if parts or assemblies are missing, note the damage or missing part(s) on the shipping papers and notify *Challenger Lifts, Inc.* Immediately.
2. Be certain that the wiring in your building will handle the current required to operate this unit. It requires a **Dedicated 25 Amp Circuit**.
3. Be certain that you have the proper concrete floor to properly handle the loaded lift. The floor should be in generally good condition with no large cracks, spalling or deterioration. The minimum requirements for concrete are **4 inches minimum depth, with steel reinforcement, 3500 PSI**, cured for a minimum of **28 days**. The floor should be **level within 3/8 inch** over the installation area. No anchors should be installed within **8 inches** of any crack, edge, or expansion joint. If these conditions cannot be met, pads can be poured to accommodate the lift.
4. Check with the local building inspectors and/ or permits office for any special instructions or approvals required for your installation.

Installation Procedure

1. Break down the packaging with the columns by supporting the upper column and using a 3/4" wrench, remove the bolts at the top and bottom of the column. Carefully remove the top cap that is used for shipping and hold the overhead support plate in position. Use the bolts that held the top cap to bolt the support in place. You may wish to only snug the bolts in place so the support can be moved slightly to align the overhead.

2. Layout the service bay according to the architect's plans or owner's instructions (**See Figures 1 & 1A**). Be certain that the proper conditions exist per the section entitled "Before You Install".

- 2A. Erect both column assemblies, spacing them as shown in **Figure 1A**. Align the columns with the installation lines (**See Figure 1A**) and drill the holes for the anchors using the base plate as a template. Clean the dust from the holes. Obtain the anchor bolts from the hardware box and assemble the nut and washer to the bolt, leaving about 1/4" of thread above the nut. Insert the anchors into each hole as it is drilled and tap it down to the base plate. If the floor is excessively uneven, you may wish to leave more thread exposed.

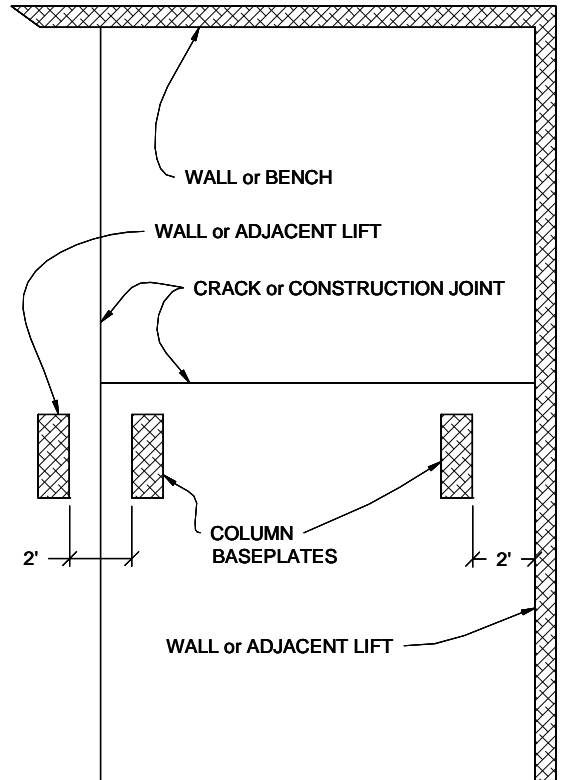


Fig 1

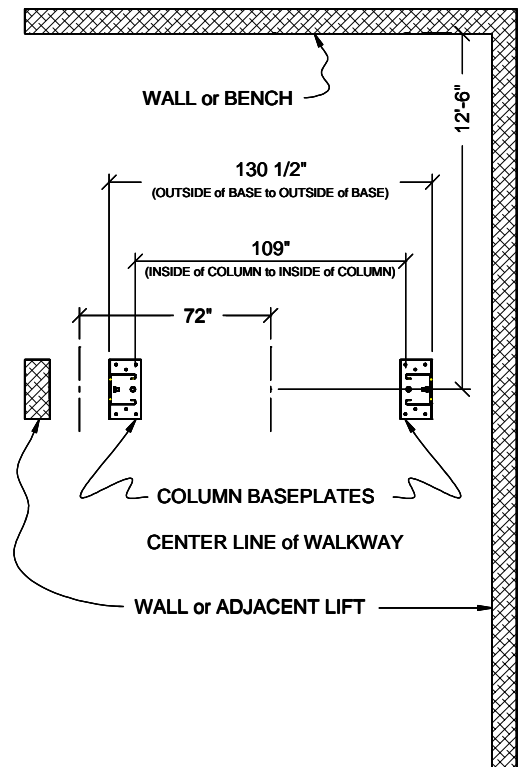


Fig 1A

3. **Lift orientation: CAUTION!!!** If the lift is not installed in this manner, the arms may damage the power unit during operation. **See Fig 2.**

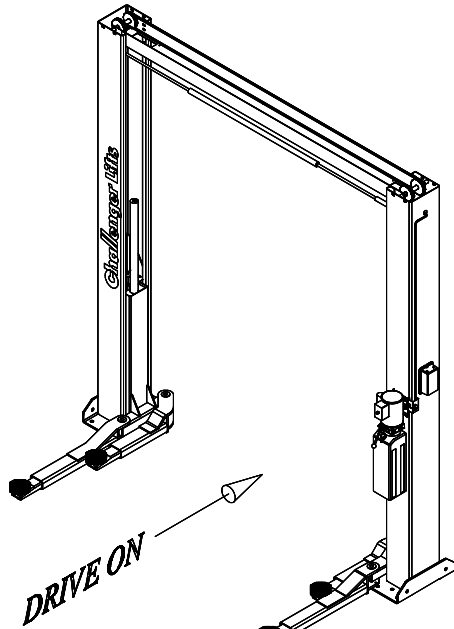


Fig 2

4. Shim both columns to plumb using the shims provided. Do not shim more than 1/2" at any given point. Use a level no less than 24" in length to plumb the columns. **IMPORTANT:** *Insure to shim under not only anchor bolts but also, cylinder and column too as shown in Fig 3.* Failure to do so may cause premature wear and/or lift to work improperly and void warranty.

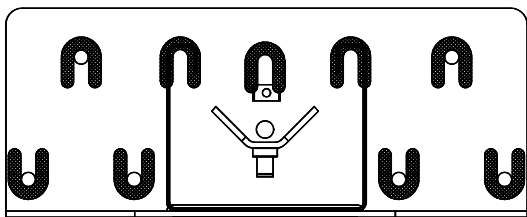


Fig 3

5. Back the nuts on the anchors up until the threads are flush with the top of the nut and tap them down against the base plate. Using a torque wrench, tighten the anchors to 150 ft/lbs to set the anchors. Check the columns for plumb after torquing the bolts and adjust by shimming if necessary.
6. Assemble the synchronizer cable sheaves, axles, and spacers in the overhead channel. **See Figure 4.**

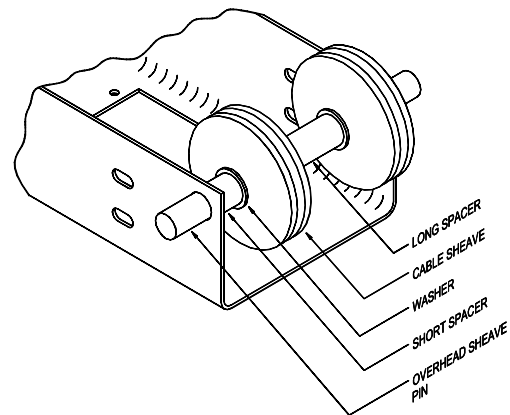


Fig 4

7. Attach the overhead support clips to the columns. Set the overhead channel in the columns onto the support clips. Fasten channel using the 3/8" bolts, nuts, and washers. **See Fig 5.**

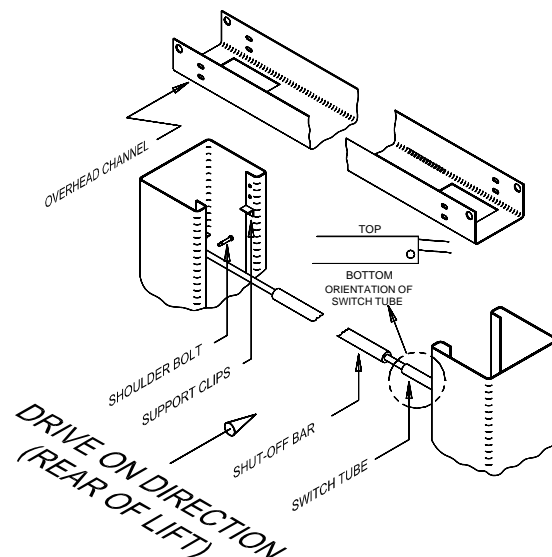


Fig 5

8. Attach the Switch Tube to the column using the 3/8" dia. X 1 1/2" lg. shoulder bolt and 5/16 -18 keps nut. The switch wire should be above the pivot hole as shown in **Fig 5**. Route the switch cord wire with the power unit hydraulic hose using the cable ties provided. **IMPORTANT: Switch Tube MUST be mounted to REAR of Lift. The wire must be supported 3 to 6 inches from the switch tube for proper operation of the shut-off switch.** Make certain there is no interference with synchronizing cables, cable pulleys, or hydraulic cylinder at full rise. Raise and lower shut-off bar to insure switch tube assembly rotates freely.

9. Take the shut-off bar to the opposite column and first insert the end of the bar into the open end of the switch tube, then attach the other end to the bracket on the idler side of the overhead using the 3/8" dia. X 1 1/2" lg shoulder bolt and 5/16-18 keps nut.

Pneumatic Locks Only

10. Install the locking pawl and actuator as shown in **Fig 6**. With the aid of an assistant, manually raise the carriages to a comfortable working height and set in locks at equal heights.

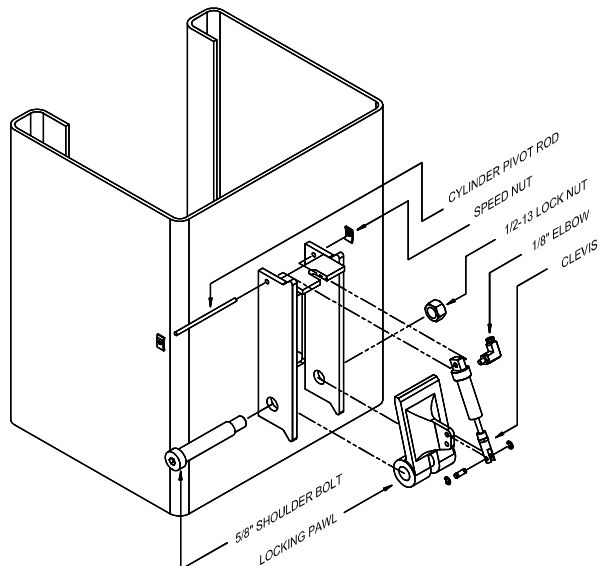


Fig 6

11. Install the power unit and button valve bracket assembly on the power column as shown in **Fig 7**.

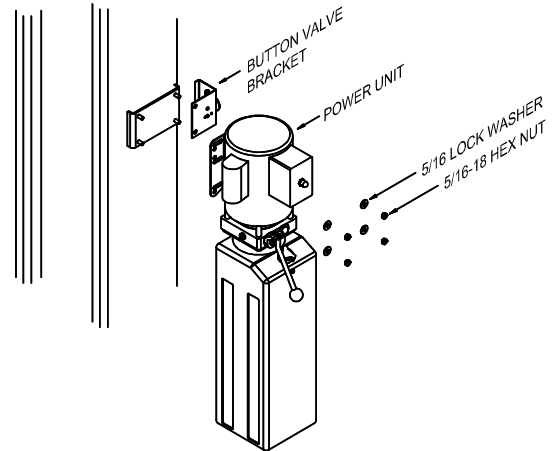


Fig 7

12. Connect 1/8" air line as shown in **Fig 8** from button valve assembly to brass union tee. Connect air line from brass union tee to air cylinder. Connect air line from brass union tee up to hole in top of power column. Route through hole in power column, staying inside the overhead follow to hole in idler column. Route through hole and down column to air cylinder. Attach air line to column and overhead using the adhesive tabs and wire ties provided. **IMPORTANT: Do Not kink or pinch the air line.** Connect button valve assembly to a source of **clean, dry air** using the hose barb and clamp provided. Snap the covers onto column. See **Fig 9**.

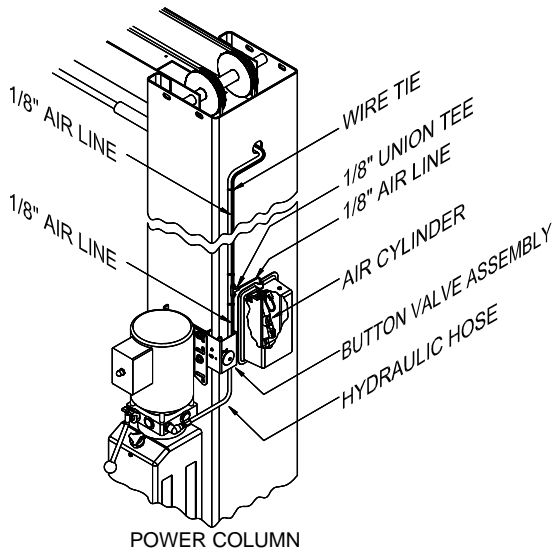


Fig 8-A

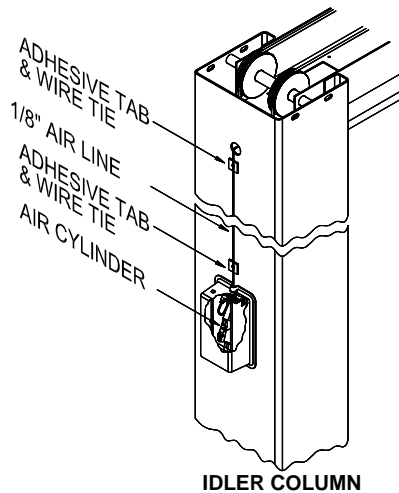


Fig 8-B

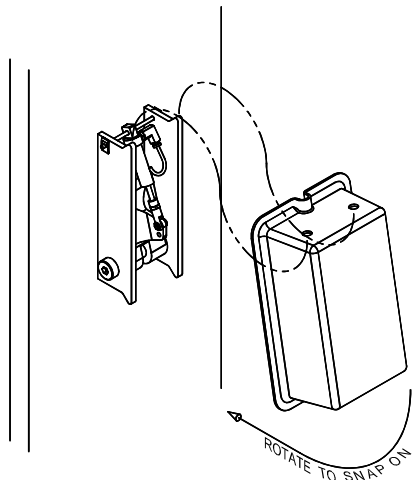


Fig 9

Mechanical Locks Only

13. Ensure that both carriages are completely lowered. Install the locking pawl on the *Power Column* as shown in **Fig. 10**.

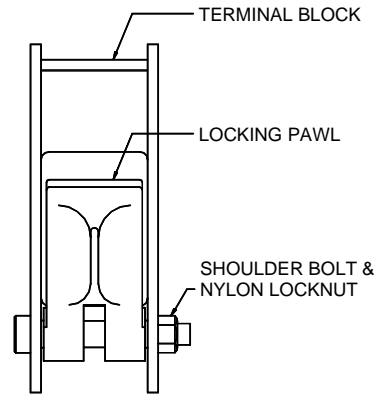


Fig 10

14. Install locking pawl and torsion spring on the *Idler Column* as shown in **Fig 11** below.

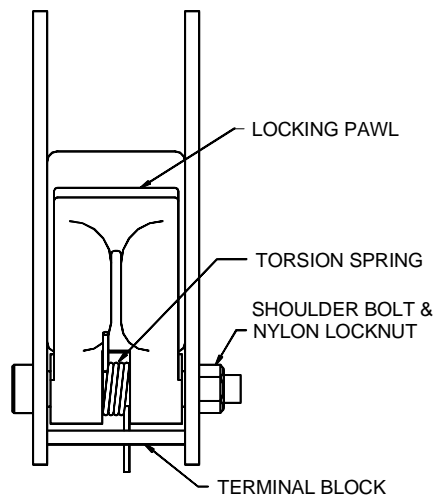


Fig 11

15. Route the push pull cable assembly up the *Power Column*, across the overhead and down the *Idler Column*. An approximately equal amount of cable should be extending down each side. **Care must be taken that the push-pull cable does not interfere with the synchronizing cables or hydraulic cylinder.**

16. Install the cable end cap into the terminal block located on the idler column. Make sure the end cap is fully inserted and threads are exposed. Assemble the locknut to the cable end cap.

Model 39000
Installation, Operation and Maintenance

17. Insert the cable assembly through the cable end cap, making sure the cable casing is fully seated.
18. Insert the internal cable through the clevis.
19. Insert the internal cable through the cable stop so it is just extending beyond the stop and crimp so the clevis can not be removed.
20. Attach the clevis to the bottom hole of the idler side locking pawl using the clevis pin and retaining ring. The complete assembly for the idler column should be as shown in **Fig 12**.

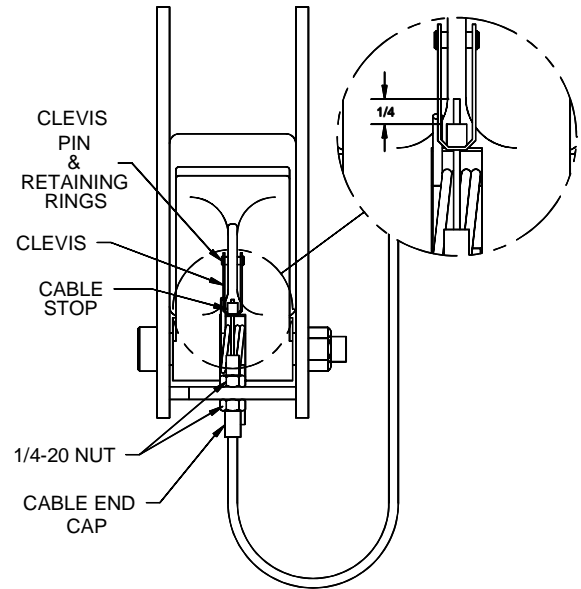


Fig 12

21. Raise the carriages and engage the locks in the lowest locking position.
22. Install the cable end cap into the terminal block located on the power column. Make sure the end cap is fully inserted and the threads are exposed. Assemble the locknut to the cable end cap.
23. Insert the cable assembly through the cable end cap, making sure the cable assembly is fully seated.
24. Insert the internal cable through the clevis.
25. Insert the internal cable through the cable stop so it is just extending beyond the stop and crimp so the clevis can not be removed.
26. Attach the clevis to the top hole of the power side locking pawl using the clevis pin and retainer rings. The complete assembly of the power side should be as seen in **Fig 13**.

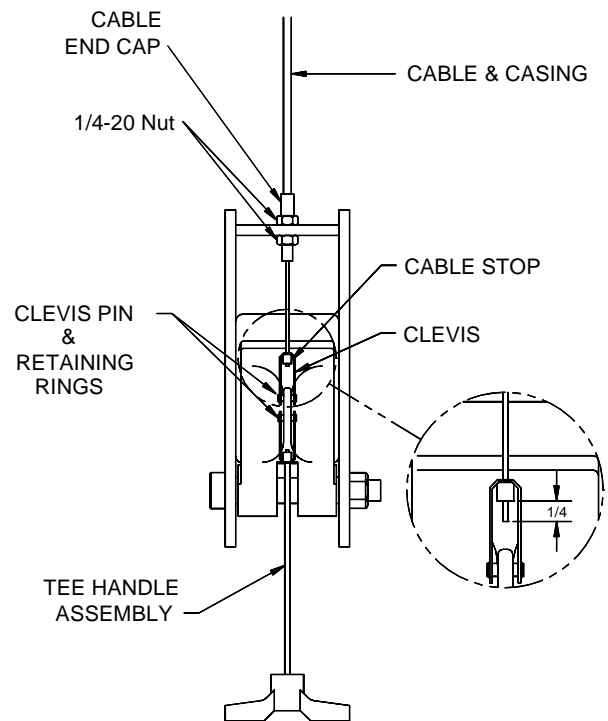


Fig 13

27. Attach the tee handle assembly to the bottom hole of the power side locking pawl using the clevis pin and retaining rings. The complete assembly of the power side should be as seen in **Fig 13**.
28. Raise the carriages slightly. Release the locks and lower carriages fully.
29. Pull downward on the tee handle and observe the operation of both locking pawls. Both locking pawls should fully open. Adjust cable tension as needed by backing the cable end cap out of the terminal block on the idler column and tighten the locknut.
30. Snap the plastic covers on both columns.

Hydraulic Hose Installation

31. Install Hose Suspension Clamps in overhead as shown in **Fig 14**.

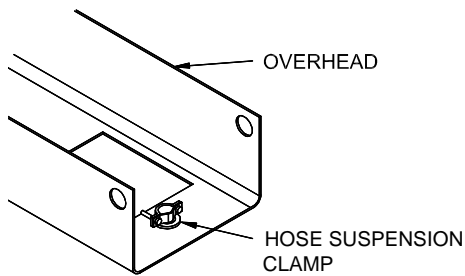


Fig 14

32. Attach long 'O' ring elbow in hydraulic cylinder on idler column side first. Attach idler cylinder hose assembly to elbow. Rest assembly between retainer tabs in base of column. See **Fig 15** below.

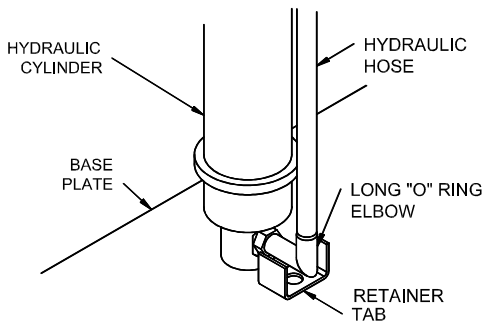


Fig 15

33. Route opposite end of hose through Hose Suspension Clamp along inside of overhead and through Hose Suspension Clamp on opposite end of overhead. Remove slack from hose and use hydraulic line clamps to avoid interference with hydraulic cylinder, cables and sheaves. **IMPORTANT:** *Insure to remove any twist in the hydraulic hose before tightening clamps. Over tightening Hose Suspension Clamps will result in crimped hoses.*
34. Repeat **step 32** using power cylinder hose.
35. Using the 37 deg union tee attach the idler & power hose assembly. See **Fig 16**.

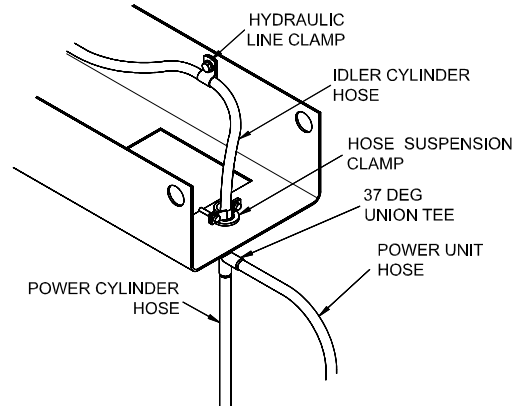


Fig 16

36. Attach short 'O' ring elbow to power unit. Attach power unit hose assembly to elbow. See **Fig 17**. Route up power column to opening at top of column. Feed hose through opening and attach to union tee. See **Fig 16**.

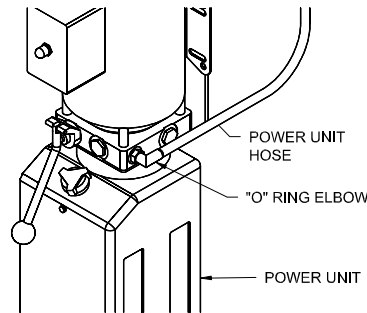


Fig 17

37. **BE CERTAIN ALL FITTINGS AND CONNECTIONS ARE TIGHT.** Fill power unit with 10 quarts of clean 10wt anti-foam, anti-rust hydraulic oil or Dexron III ATF. **DO NOT USE OILS WITH DETERGENTS.**
38. Connect the overhead shut-off switch to the power unit. Connect the power unit to a suitable electrical power source. See **Fig 18**.

Wiring Diagram

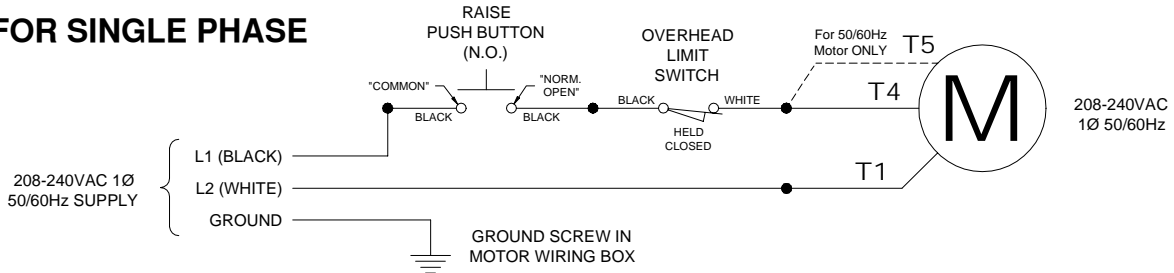
*** After wiring has been completed, test operation of Power Unit & Overhead Limit Switch. While raising lift, operate Overhead Shutoff Bar. Power Unit Motor should stop when Shutoff Bar is raised.**

EACH LIFT SHOULD HAVE A DEDICATED CIRCUIT WITH A DOUBLE POLE (THREE POLE FOR 440-480V) BREAKER OR TIME DELAY FUSE SIZED ACCORDING TO THE FOLLOWING CHART

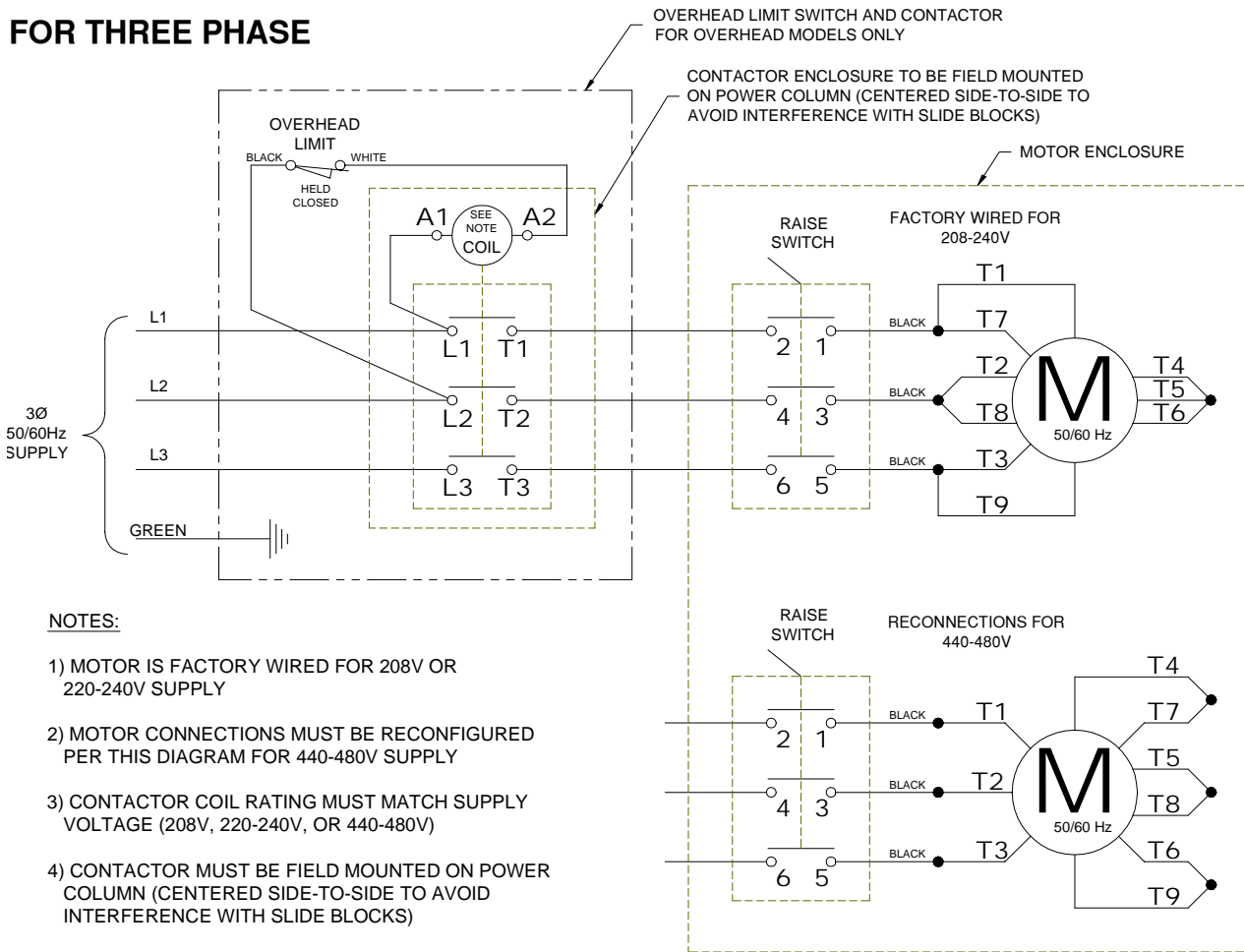
	1Ø 208-240V	3Ø 208V	3Ø 220-240V	3Ø 440-480V
2Hp	25amp	15amp	15amp	5amp

* WIRING MUST COMPLY WITH NEC AND ALL LOCAL ELECTRICAL CODES *

FOR SINGLE PHASE



FOR THREE PHASE



NOTES:

- 1) MOTOR IS FACTORY WIRED FOR 208V OR 220-240V SUPPLY
- 2) MOTOR CONNECTIONS MUST BE RECONFIGURED PER THIS DIAGRAM FOR 440-480V SUPPLY
- 3) CONTACTOR COIL RATING MUST MATCH SUPPLY VOLTAGE (208V, 220-240V, OR 440-480V)
- 4) CONTACTOR MUST BE FIELD MOUNTED ON POWER COLUMN (CENTERED SIDE-TO-SIDE TO AVOID INTERFERENCE WITH SLIDE BLOCKS)
- 5) MOTOR ROTATION IS COUNTER CLOCKWISE FROM TOP OF MOTOR

Model 39000
Installation, Operation and Maintenance

39. Energize the power unit until the carriages are lifted and run them up about 3 feet. **Caution! Wear eye protection while bleeding the cylinders!** Slowly and carefully loosen the bleed plug to allow the entrapped air to escape from the cylinder, first on the idler side and then the power side. Energize the power unit again to raise the carriages about 1-2 inches and loosen the plugs to bleed again. Repeat until no air comes out of the plug.

40. Lower the lift completely and top off the hydraulic oil. Raise the lift until both carriages are in the locking range and engage the safety latches. Make certain that the carriages are at the same height. Adjust the synchronizer cables so that the tension is equal in both cables and both carriages are firmly on the locks. Cycle the lift to insure that the latches operate simultaneously.

41. Install the arms, rubber inserts, and arm restraints as seen in **Figure 19**. Adjust the arm restraint adjusting bolts so that all four arm restraints are released when the carriages are fully lowered.

42. Demonstrate the operation of the lift to the owner/operator and review correct and safe lifting procedures using the **Lifting It Right** booklet as a guide.

43. Complete the Installation Checklist Warranty Validation Questionnaire with the owner. Review the terms of the warranty with the owner. Complete the warranty registration card, and return the card and a copy of the questionnaire to:

Challenger Lifts, Inc.
200 Cabel Street
Louisville, KY 40206

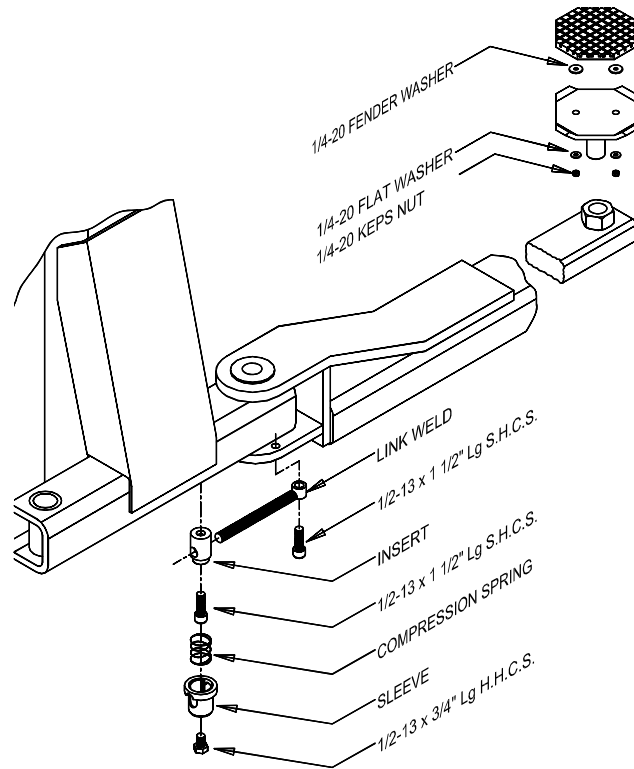


Fig 19

Operation Procedure

Challenger's Model 39 Surface Mounted lift have been designed and constructed according to ANSI/ALI ALCTV-1998 standard to Insure it is safe to use. The standard applies to lift manufacturers, as well as the owners, and employers. The owner/employer's responsibilities, as prescribed by ANSI/ALI ALCTV-1998, are summarized below. For exact wording refer to the actual standard in the literature pack.

The Owner/Employer shall insure that lift operators are qualified and that they are trained in the safe use and operation of the lift using the manufacturer's operating instructions; ALI/SM 93-1, ALI Lifting it Right safety manual; ALI/ST-90 ALI Safety Tips card; ANSI/ALI ALOIM-1994, American National Standard for Automotive Lifts-Safety Requirements for Operation, Inspection and Maintenance; ALI/WL Series, ALI Uniform Warning Label Decals/Placards; and in case of frame engaging lifts, ALI/LP-GUIDE, Vehicle Lifting Points/Quick Reference Guide for Frame Engaging Lifts.

The Owner/Employer shall establish procedures to periodically inspect the lift in accordance with the lift manufacturer's instructions or ANSI/ALI ALOIM-1994, American National Standard for Automotive Lifts-Safety Requirements for Operation, Inspection and Maintenance; and the employer shall insure that the lift inspectors are qualified and that they are adequately trained in the inspection of the lift.

The Owner/Employer shall establish procedures to periodically maintain the lift in accordance with the lift manufacturer's instructions or ANSI/ALIOIM-1994, American National Standard for Automotive Lifts-Safety Requirements for Operation, Inspection and Maintenance; and the employer shall Insure that the lift maintenance personnel are qualified and that they are adequately trained in the maintenance of the lift.

The Owner/Employer shall maintain the periodic inspection and maintenance records recommended by the manufacturer or ANSI/ALI ALOIM-1994, American National Standard for Automotive Lifts-Safety Requirements for Operation, Inspection and Maintenance.

The Owner/Employer shall display the lift manufacturer's operating instructions; ALI/SM 93-1, ALI Lifting it Right safety manual; ALI/ST-90 ALI Safety Tips card; ANSI/ALI ALOIM-1994, American National Standard for Automotive Lifts-Safety Requirements for Operation, Inspection and Maintenance; and in the case of frame engaging lift, ALI/LP-GUIDE, Vehicle Lifting Points/Quick Reference Guide for Frame Engaging Lifts; in a conspicuous location in the lift area convenient to the operator.

Lifting a Vehicle

Insure that the lifting arms are parked, out of the way of the vehicle.

Position the vehicle in the service bay so that the vehicle's center of gravity is on or slightly behind a line between the two columns, and so the vehicle is centered between the two columns. The short extension arms are to be placed at the vehicles front lifting points, and the long extension arms are to be placed at the rear lifting points.

Do not place the vehicle in the service bay backwards.

Do not attempt to lift the vehicle with only two arms, as this will void the warranty

Refer to the vehicle manufacturer's service manual, technical bulletins, or other publications to locate the recommended lifting points.

Position the arms so that all four pads contact the vehicle simultaneously.

The vehicle should remain level during lifting.

Raise the lift until all four wheels are off the ground. Test the stability of the vehicle by attempting to rock the car. If the vehicle seems unstable, lower the lift and readjust the arms. If the vehicle is stable, raise the vehicle to a height a few inches above the desired working height.

When the vehicle has reached the desired working height, release the power pack button, and lower the vehicle until the safety latches on both columns engage. The vehicle should remain level when both latches are engaged. If one side engages and the other continues to descend, stop lowering the vehicle, raise it several inches, and try again to engage both latches.

It is not safe to work under the vehicle unless both latches are engaged, and the vehicle is level.

Removal of large components of the vehicle could cause a change in the center of gravity resulting in an unsafe condition. If this is intended, vehicle support stands are recommended.

Lowering a Vehicle

Insure that the area under the vehicle is clear of personnel and tools.

Raise the vehicle until both latches are free.

Disengage the latches by depressing the palm button and holding it.

Lower the vehicle by depressing the lowering valve handle.

Continue to lower the vehicle until the carriages stop against the base plate. Retract the extension arms, and park them. It is important to fully lower the lift to release hydraulic pressure on the system.

Maintenance

The following maintenance points are suggested as the basis of a preventive maintenance program. The actual maintenance program should be tailored to the installation.

Daily

Inspect the lift for loose anchor bolts
(If loose tighten to 80 ft-lbs)

All anchor bolts should take full torque.

Check for fluid leaks and loose connections.

Check for broken parts

Weekly

Check fluid level in power pack reservoir.

Check for lock release activation.

Monthly

Check synchronizer cables for wear and tension, adjust if necessary.

Lubricate cable sheaves or chain sprockets with light oil to reduce drag.

Lubricate carriage slide tracks with heavy viscous grease.

Appendix A

Hydraulic Fitting Assembly

Hydraulic line sets are prefabricated to allow easy assembly in the field. Follow the steps outlined below for reliable, leak-free joint:

Remove any shipping plugs or caps, insuring that no remnants of the plugs or caps remain in the tube.

Lubricate the threads and seat of the fitting with hydraulic oil or a compatible lubricant.

Do not use pipe dope or Teflon tape on these fittings.

Align the tubing joints so that the tubing and sleeve assemblies can be inserted easily into the fitting.

Insert the tubing and sleeve assemblies into the fitting and start the fitting nut by hand.

CAUTION: If the fitting nut cannot be started by hand, the joint is not aligned properly. Attempting to start a misaligned fitting with a wrench is likely to damage the fitting and result in a leaking joint.

Tighten the fitting nut until the force required to turn it rises sharply.

Tighten the fitting nut 1/4 turn past the point noted in the previous step. Only if the joint leaks in operation should the joint be tightened further.

CAUTION: Do not over tighten the hydraulic fittings.

Appendix B

Anchor Bolt Installation

Insure the concrete has had sufficient time to cure - 28 days minimum.

Always wear safety glasses.

Follow the drill manufacturers safety instruction.

Use only solid carbide-tipped drill bits meeting ANSI B94 tip diameter standards.

Drill the anchor bolt holes perpendicular to the work surface. To assure full holding power, do not ream the hole or allow the drill to wobble.

Drill the hole at least as deep as the full length of the anchor, completely through the slab if possible.

Clean the hole, using compressed air and a wire brush. A clean hole is necessary for proper performance.

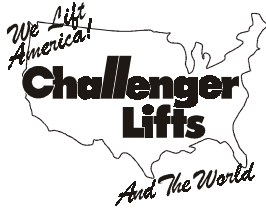
Assemble the washer and nut on the anchor bolt so that the anchor protrudes slightly beyond the nut.

The anchor should drop easily into the hole, requiring no more than a slight tap to seat it fully.

Tap the anchor through the fixture (lift base plate) and into the hole, making sure that the nut rests solidly against the fixture.

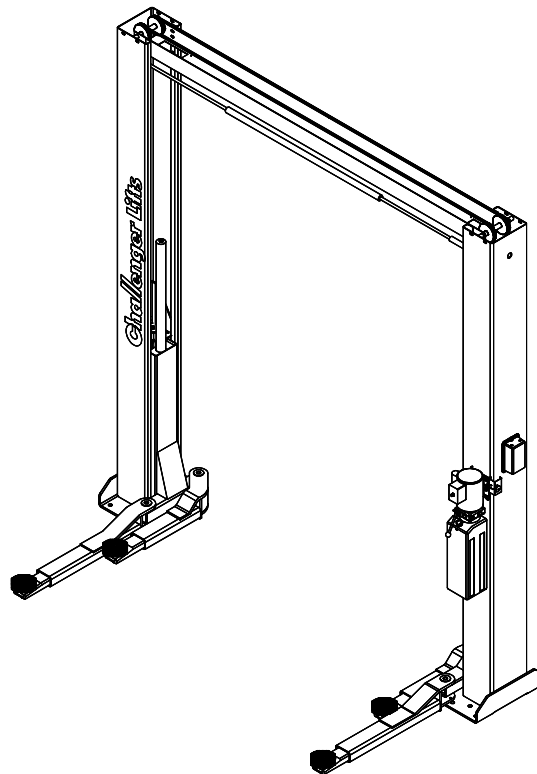
Tighten the nut to 150 ft-lbs for 3/4 inch diameter bolts and to 75 ft-lbs for 3/8 inch diameter bolts.

Model 39000
Installation, Operation and Maintenance



MODEL 39000

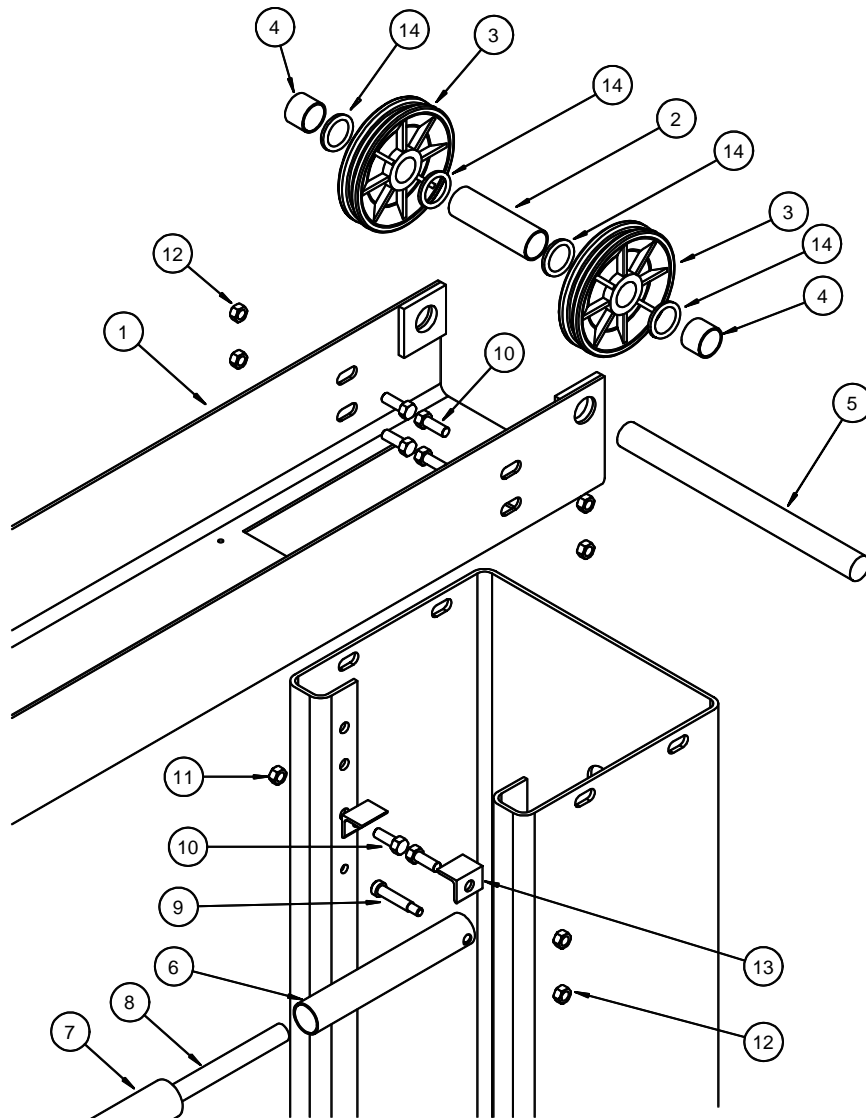
PARTS BREAKDOWN



IMPORTANT !!!

Replace all worn or broken parts with ***Genuine Challenger Lifts, Inc. Parts***. Contact your local Challenger Lifts Parts Distributor for pricing and availability. Call 1-800-648-5438 for closet parts distributor in your area.

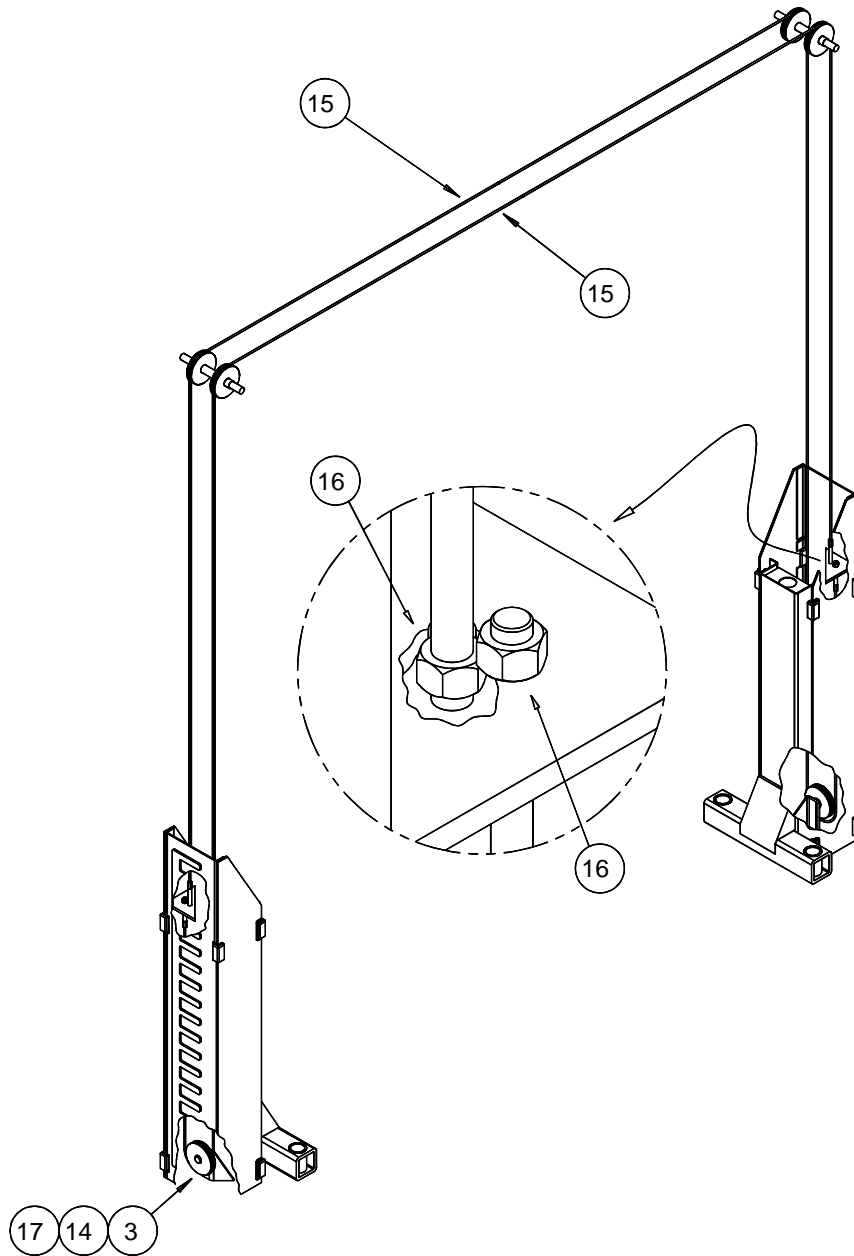
Model 39000
Installation, Operation and Maintenance



Overhead Assembly

ITEM #	PART #	QTY	DESCRIPTION
1	39009	1	Overhead Weldment
2	36086	2	Long Spacer
3	36025	4	Synchronizing Sheave
4	39030	4	Short Spacer 3/8"
5	36024	2	Sheave Pin
6	36027	1	Mercury Limit Switch
7	31129	1	Foam Pad Shutoff Bar
8	36074	1	Shut Off Bar
9	36065	2	Shoulder Bolt 3/8" dia x 1 2" lg
10	31035	12	Hex Bolt 3/8-16 x 1
11	31038	12	Hex Nut 3/8-16
12	36066	2	ESNA Lock Nut 5/16-18
13	36064	4	Clip Angle
14	36013	1	1" Phoenix Washer
	36035	1	Shutoff Bar Assembly

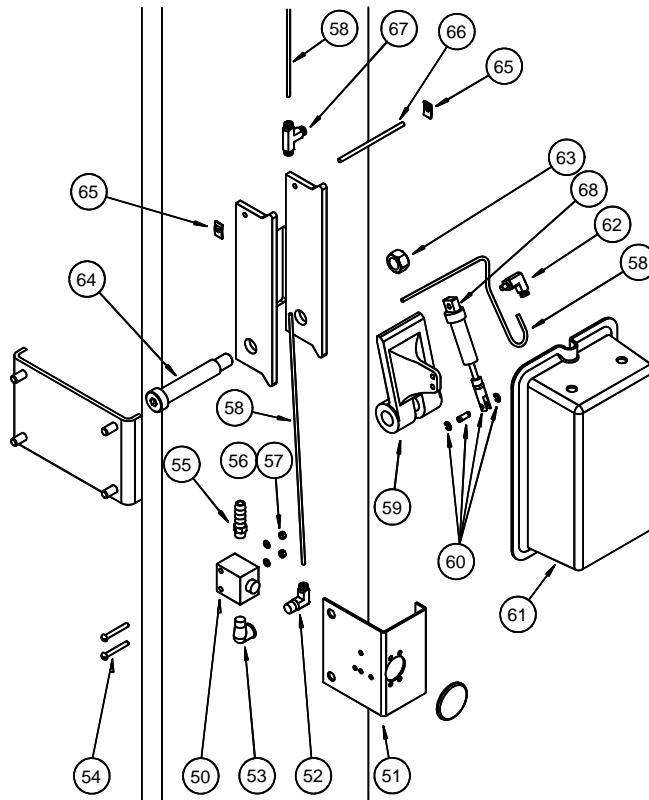
Model 39000
Installation, Operation and Maintenance



Synchronization System

ITEM #	PART #	QTY	DESCRIPTION
3	36025	6	Synchronizing Sheave
14	36013	2	1" Phoenix Washer
15	36036	2	Synchronizing Cable
16	36037	4	ESNA Locknut ¼-20
17	36014	2	External Retaining Ring 1"

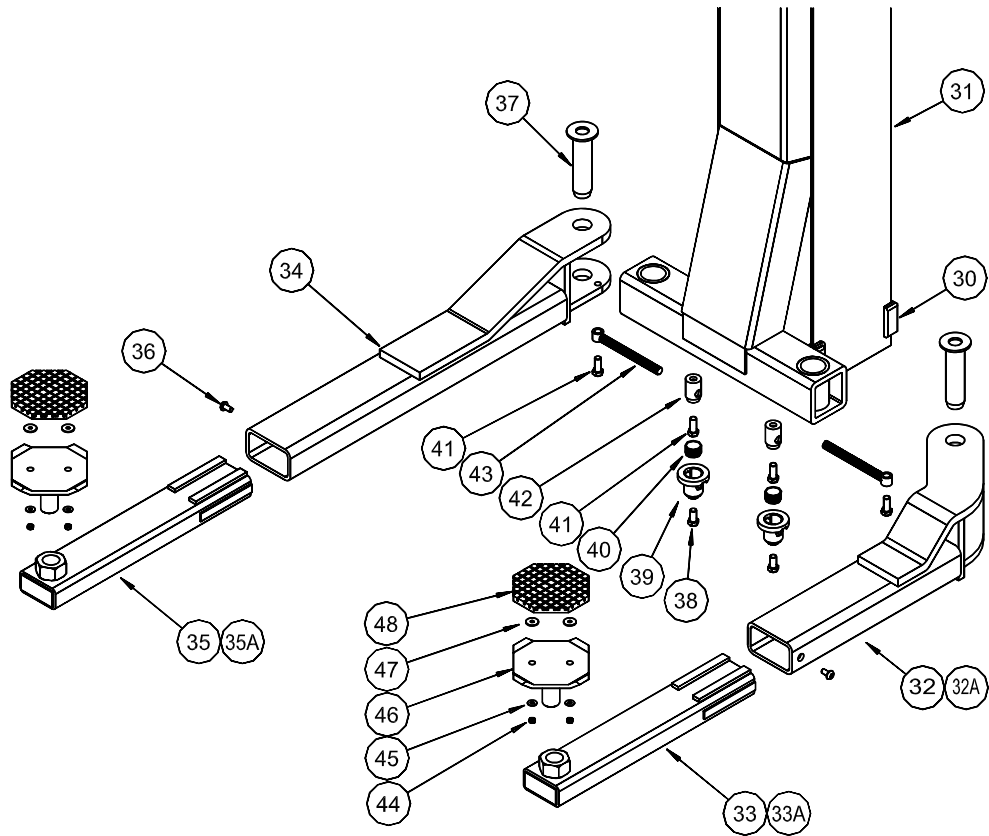
Model 39000
Installation, Operation and Maintenance



Pneumatic Lock Release

ITEM #	PART #	QTY	DESCRIPTION	
50	37016	1	Lock Release Valve	
51	37015	1	Valve Bracket	
52	37019	1	90 Deg Elbow	1/8 NPT x Tube
53	37020	1	90 Deg Elbow	1/8 NPT
54	37022	2	Pan Head Screw	8-32 x 1 1/4" lg
55	37021	1	Hose Barb	3/8"
56	37023	2	Lock Washer	#8
57	37024	2	Hex Nut	8-32
58	37035	1	Air Line	1/8" dia x 25' lg
59	37081	2	Locking Pawl	
60	37029	2	Air Cylinder Clevis	
61	37072	2	SPLR Cover (Snap On)	
	37034	2	SPLR Cover (Bolt On)	
62	37041	2	90 Deg Swivel Elbow	1/8" Tube x 10-32
63	37013	2	ESNA Locknut	1/2-13
64	37011	2	Shoulder Bolt	5/8" dia x 3" lg
65	37031	4	Speed Nut	5/32
66	37042	2	Pivot Rod	5/32" dia x 4"lg
67	37032	1	Union Tee	1/8" Tube
68	37026	2	Air Cylinder	
	37014	1	Button Valve Bracket Assembly	(Items 50 thru 57)
	37025	2	Air Cylinder Assembly	(Items 60, 62, 68)

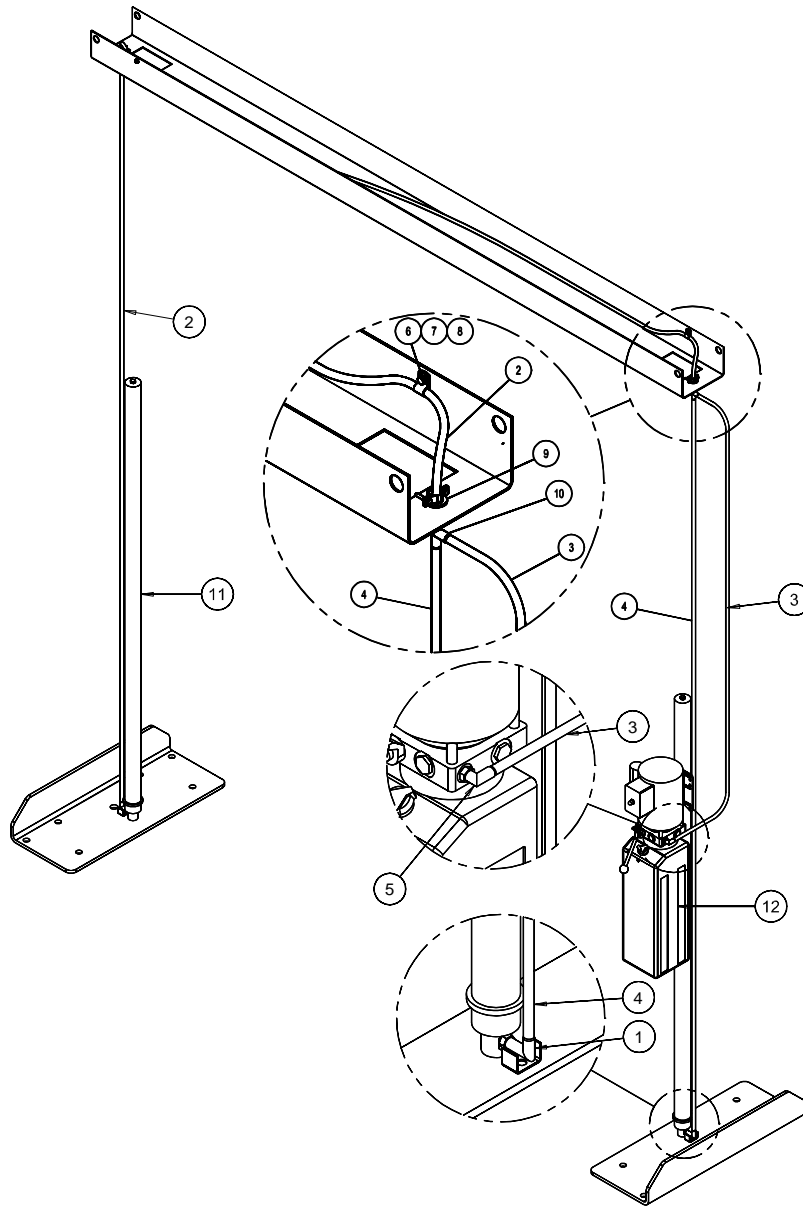
Model 39000
Installation, Operation and Maintenance



Carriage/Arm Assembly

ITEM #	PART #	QTY	DESCRIPTION	
30	31023	2	Slide Block Assembly	
31	39053	2	Carriage Weldment	
32	39016	1	Right Front Female Arm Weld	
	39015	1	Left Front Female Arm Weld	
33	39019	2	Front Male Arm Weld	
34	39017	2	Rear Female Arm Weld	
35	39018	2	Rear Male Arm Weld	
36	31305	4	Phillip Pan Head Screw	3/8-16 x 3/4" Lg
37	31134	4	Arm Pin	1 1/2" dia x 6" lg.
38	31111	4	Hex Head Cap Screw	1/2-13 x 3/4" lg
39	31107	4	Sleeve Weld	Arm Restraint
40	31109	4	Compression Spring	Arm Restraint
41	31112	8	Socket Head Cap Screw	1/2-13 x 1 1/2" lg
42	31108	4	Insert	Arm Restraint
43	31110	4	Link Weldment	6 1/2" lg
44	31061	8	Keps Nut	1/4-20
45	31115	8	Flat Washer	1/4"
46	31133	4	Foot Pad Weldment	3 1/2" lg
47	31114	8	Fender Washer	1/4"
48	31057	4	Rubber Insert	
39003		1	Arm Pack Assembly	(items 32A thru 37, 47)
39037		1	Right Front Arm Assembly	(items 32A, 33, 36)
39036		1	Left Front Arm Assembly	(items 32B, 33, 36)
39038		2	Rear Arm Assembly	(items 34, 35, 36)
11024		4	Foot Pad Assembly	(items 45 thru 49)
11052		4	Rubber Insert Kit	(items 45, 46, 48, 49)
31052,31053		4,1	Arm Restraint Assembly	(items 38, 39, 40, 42, 43)

Model 39000
Installation, Operation and Maintenance



Hydraulic Hose Assembly

ITEM #	PART #	QTY	DESCRIPTION
1	39102	2	Long "O" Ring Elbow
2	39100-266	1	Idler Cylinder Hose Assembly
3	39100-087	1	Power Unit Hose Assembly
4	39100-130	1	Power Cylinder Hose Assembly
5	16167	1	"O" Ring x 37 deg Flare Elbow
6	A1122-9	2	Hose Clamp
7	A1153	2	3/8 x 3/4" Lg. Hex Flange Head Cap Screw
8	A1154	2	3/8 Hex Flange Nut
9	39104	2	Hose Suspension Clamp
10	39103	1	37 deg Flare Union Tee
11	36115	2	Hydraulic Cylinder, 2" bore x 72" Stroke
12	A1201-15	1	Power Unit, 1 ph, 60 hz, 208/230V
	A1202-15		Power Unit, 1 ph, 50/60 hz, 208/230V
	A1203-15		Power Unit, 3 ph, 60 hz, 208/230/460V