

- NOTES:
- 1.) ALL STL MEMBERS COATED W/ ZNC RICH EPOXY THEN FINISHED W/ POLYESTER POWDER COATING.
 - 2.) 1/2" X 3 3/4" EXPANSION ANCHOR BOLTS PROVIDED.
 - 3.) SIDE OF RECEPTACLE HINGES OPEN FOR REMOVAL OF LINER.
 - 4.) LATCH PROVIDED W/ KEY, USE OF KEY OPTIONAL.
 - 5.) RECEPTACLE FULLY ASSEMBLED AT FACTORY.



RECEPTACLE

DATE DRAWN : 07/23/13
DRAWN BY : ESS
DATE REV. : 10/04/17
REV. BY : ESS

REV. B

DRAWING NUMBER

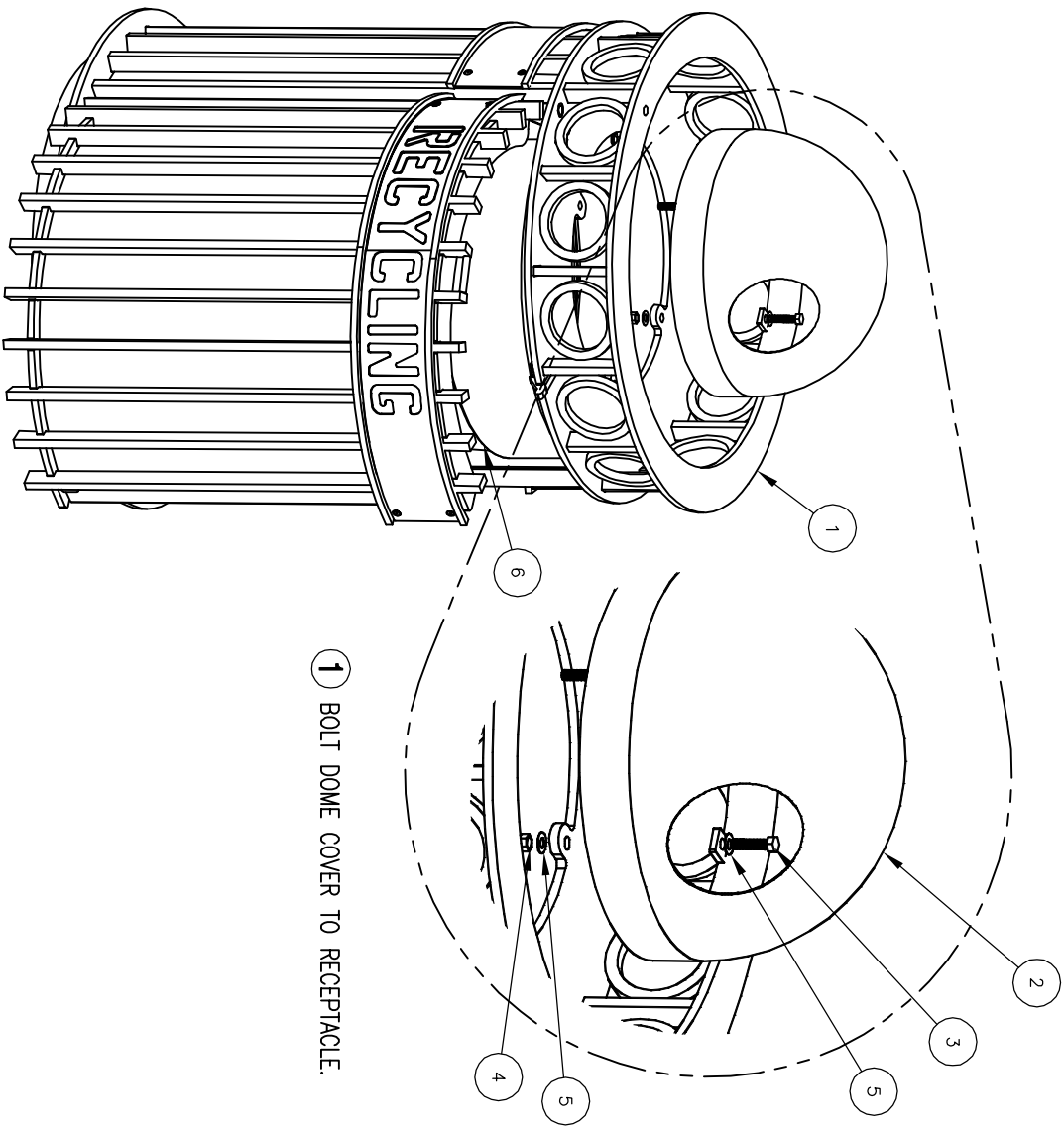
65-136-32-SHRC

SHEET 1 OF 2

- NOTES:
- 1.) DURING ASSEMBLY PROCEDURE; DO NOT COMPLETELY TIGHTEN HARDWARE.
 - 2.) THE ACTUAL PARTS WILL NOT BE NUMBERED. NUMBERS ONLY APPLY TO DRAWING.
 - 3.) UPON COMPLETION OF ASSEMBLY SQUARE ALL COMPONENTS THEN TIGHTEN ALL HARDWARE.
 - 4.) MOUNT AND ANCHOR AS SPECIFIED.

TOOLS REQ'D

- 3/4" WRENCH
- 9/16" WRENCH
- 1/2" MASONRY DRILL BIT
- DRILL



PARTS LIST

ITEM	QTY	PART NO	DESCRIPTION
1	1	0-5136-30SHRC	30 GAL STL RECEPT ASSEMBLY W/ SHIELD, RECYCLING
2	1	0-DOME-02	15" OD SPUN STL DOME W/ 4 1/2" DIA HOLES
3	4	1-12-017	3/8" X 1 1/2" SS HEX HD CAP SCR
4	4	1-20-007	3/8" SS NYLON LOCKNUT
5	8	1-22-024	3/8" SS FLAT WASHER
6	1	49-32	32 GAL PL LINER W/ HANDLE, BLK

KITS REQUIRED

ITEM	QTY	PART NO	DESCRIPTION
7	1	K-ANCO860-3	1/2" X 3 3/4" SS ANCHOR KIT (3PCS)
8	1	K-HCO624-4	3/8" CAP HARDWARE KIT (4PC)



ASSEMBLY INSTRUCTIONS

DATE DRAWN : 08/04/08
 DRAWN BY : ESS
 DATE REV. : 10/04/17
 REV. BY : ESS

REV. B

DRAWING NUMBER

65-136-32-SHRC

SHEET 2 OF 2